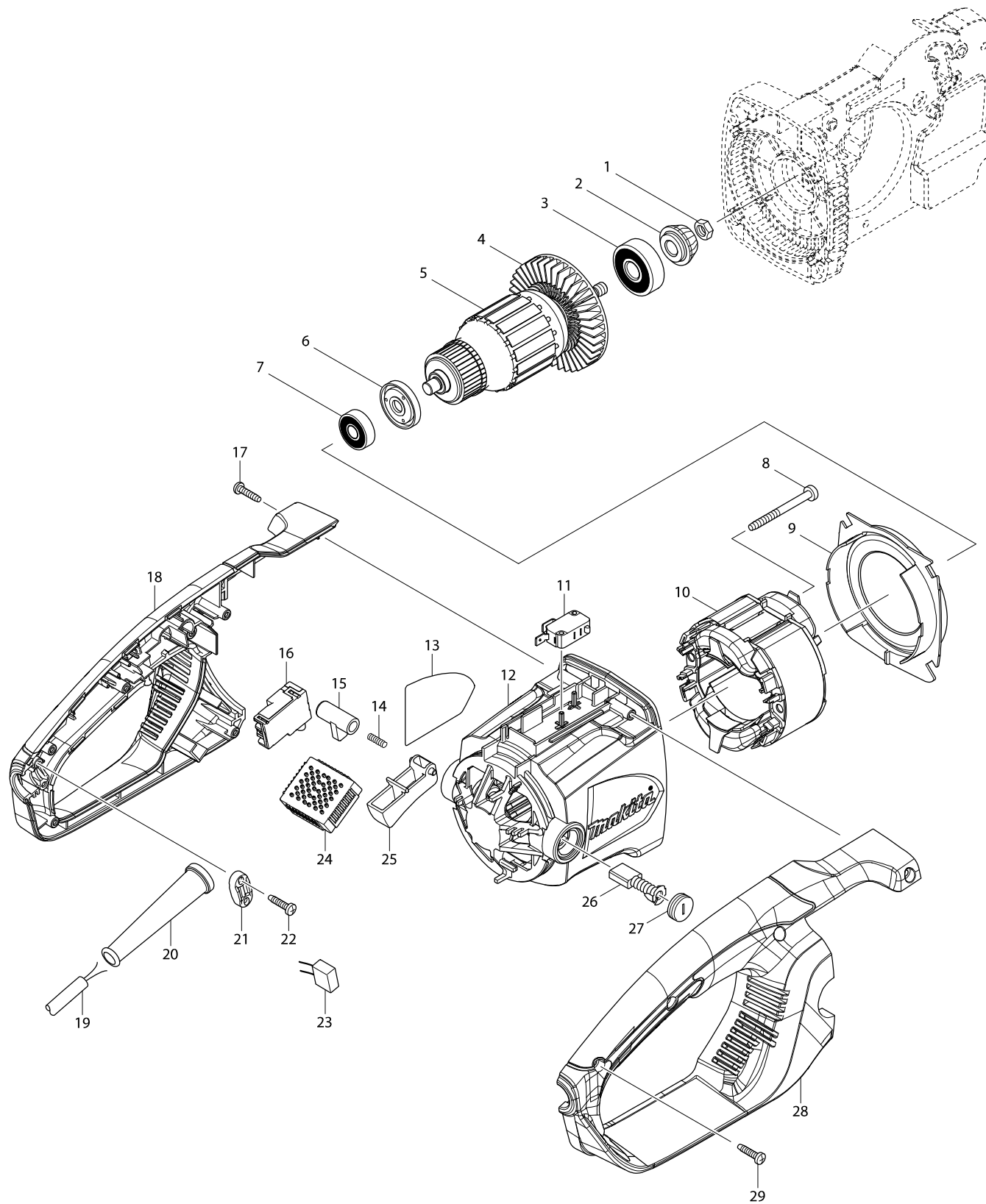
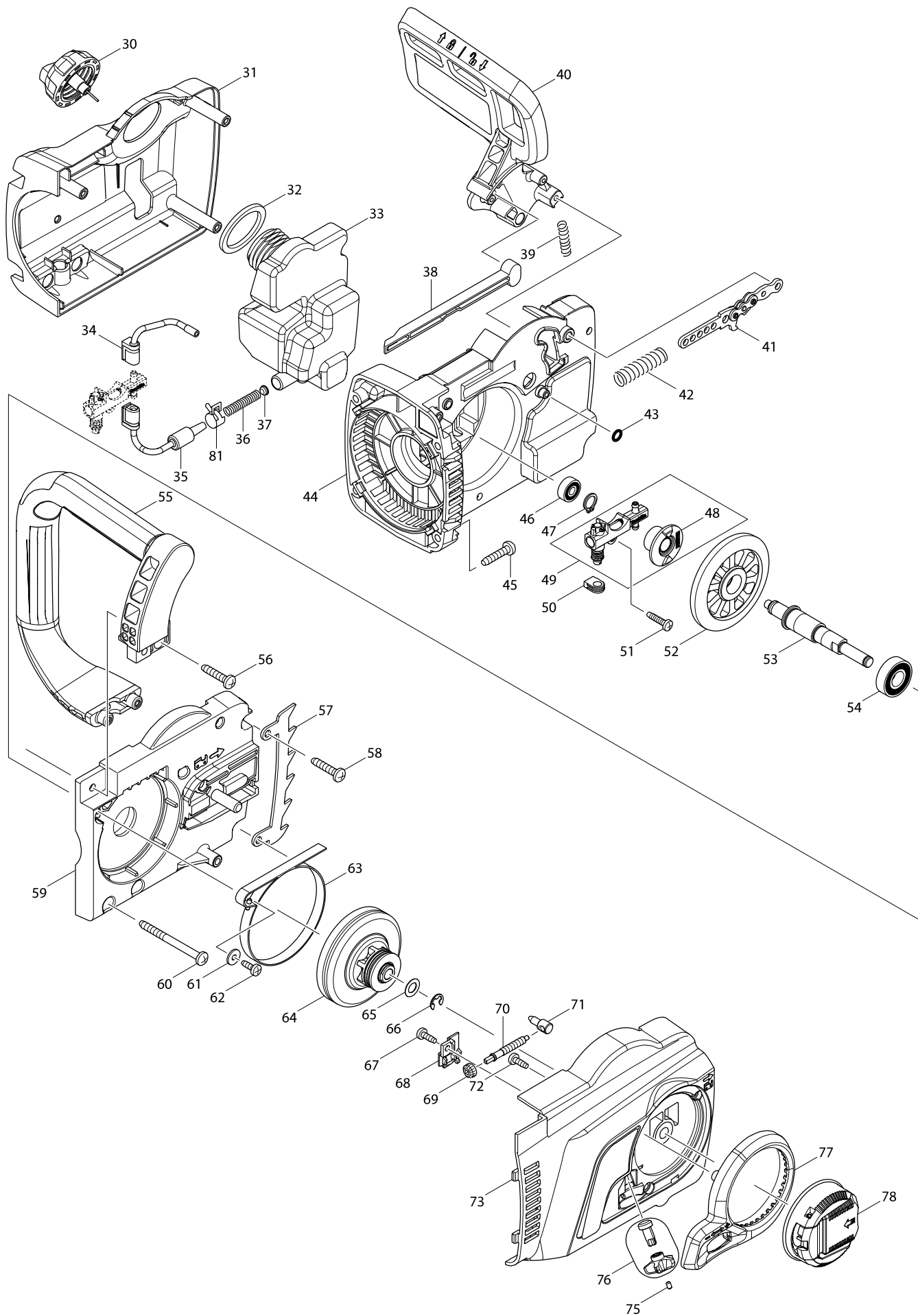


# Model UC3051A ELECTRIC CHAIN SAW 300MM



# Model UC3051A ELECTRIC CHAIN SAW 300MM



| Položka | Objednávacie | Popis                          | I/C | ks | N/O | Predaj | Nákup | Poznámka |
|---------|--------------|--------------------------------|-----|----|-----|--------|-------|----------|
| 001     | 931403-6     | MATICA M8 931403-6             |     | 1  |     |        |       |          |
| 002     | 227626-5     | SPIRAL BEVEL GEAR 12           |     | 1  |     |        |       |          |
| 003     | 211111-8     | LOŽISKO GULIČKOVÉ 6301LLB      |     | 1  |     |        |       |          |
| 004     | 240003-4     | KOLESO VENTILÁTORA 80 2702/DA4 |     | 1  |     |        |       |          |
| 005     | 517904-4     | ARMATURE ASS'Y 240V            |     | 1  |     |        |       |          |
| D10     |              | INC. 3,4,6,7                   |     |    |     |        |       |          |
| 006     | 681666-1     | INSULATION WASHER              |     | 1  |     |        |       |          |
| 007     | 210084-2     | BALL BEARING 629ZZ             |     | 1  |     |        |       |          |
| 008     | 266095-5     | SKRUTKA 5X55                   |     | 2  |     |        |       |          |
| 009     | 419410-4     | BAFFLE PLATE                   |     | 1  |     |        |       |          |
| 010     | 636394-3     | FIELD 240V                     |     | 1  |     |        |       |          |
| 011     | 650577-1     | SWITCH SD-006-BB2AA-AA         |     | 1  |     |        |       |          |
| 012     | 142348-5     | MOTOR HOUSING COMPLETE         |     | 1  |     |        |       |          |
| C10     | 643653-8     | BRUSH HOLDER 6.5-13.5          |     | 2  |     |        |       |          |
| 013     | 815F96-2     | UC3051A NAME PLATE             |     | 1  |     |        |       |          |
| 014     | 233173-6     | PRUŽINA PRÍTLAČNÁ UC3020A      |     | 1  |     |        |       |          |
| 015     | 416178-3     | LOCK-OFF BUTTON                |     | 1  |     |        |       |          |
| 016     | 650717-1     | SWITCH TGC30B                  |     | 1  |     |        |       |          |
| 017     | 265995-6     | SKRUTKA SAMOREZNÁ 4x18         |     | 1  |     |        |       |          |
| 018     | 187901-0     | HANDLE SET                     |     | 1  |     |        |       |          |
| C10     | 802G51-9     | CAUTION LABEL                  |     | 1  |     |        |       |          |
| D10     |              | INC. 28                        |     |    |     |        |       |          |
| 019     | 665894-6     | POWER SUPPLY CORD 1.0-2-0.5    |     | 1  |     |        |       |          |
| 020     | 682540-6     | CHRANIC SNURY 9,3-90           |     | 1  |     |        |       |          |
| 021     | 687124-5     | DRŽIAK KÁBLA MT240/953T955     |     | 1  |     |        |       |          |
| 022     | 265995-6     | SKRUTKA SAMOREZNÁ 4x18         |     | 2  |     |        |       |          |
| 023     | 645105-5     | ODRUSOVACI KONDENZATOR         |     | 1  |     |        |       |          |
| 024     | 631719-6     | CONTROLLER                     |     | 1  |     |        |       |          |
| 025     | 419411-2     | SWITCH LEVER                   |     | 1  |     |        |       |          |
| 026     | 181044-0     | UHLÍKY CB-153 (CB-152) 1200    |     | 1  |     |        |       |          |
| 027     | 643650-4     | VIECKO DRZIAKA UHLIKOV 6,5x18  |     | 2  |     |        |       |          |
| 028     | 187901-0     | HANDLE SET                     |     | 1  |     |        |       |          |
| C10     | 802G51-9     | CAUTION LABEL                  |     | 1  |     |        |       |          |
| D10     |              | INC. 18                        |     |    |     |        |       |          |
| 029     | 265995-6     | SKRUTKA SAMOREZNÁ 4x18         |     | 6  |     |        |       |          |
| 030     | 142282-9     | TANK CAP COMPLETE              |     | 1  |     |        |       |          |
| 031     | 454822-4     | GEAR HOUSING COVER             |     | 1  |     |        |       |          |
| 032     | 421959-2     | SPONGE SEAL                    |     | 1  |     |        |       |          |
| 033     | 454826-6     | OIL TANK                       |     | 1  |     |        |       |          |
| 034     | 424611-1     | CONNECTOR B                    |     | 1  |     |        |       |          |
| 035     | 424610-3     | CONNECTOR A                    |     | 1  |     |        |       |          |
| 036     | 231975-4     | PRUŽINA DCS230T                |     | 1  |     |        |       |          |
| 037     | 416274-7     | ČAP OLEJOVEJ HADIČKY UC3020    |     | 1  |     |        |       |          |
| 038     | 454825-8     | ROD                            |     | 1  |     |        |       |          |
| 039     | 233174-4     | PRUŽINA ES2130A                |     | 1  |     |        |       |          |
| 040     | 142341-9     | FRONT HAND GUARD COMPLETE      |     | 1  |     |        |       |          |
| C10     | 802K54-7     | INDICATION LABEL               |     | 1  |     |        |       |          |
| 041     | 158044-5     | LINK PLATE COMPLETE            |     | 1  |     |        |       |          |

| Položka | Objednávacie | Popis                         | I/C | ks | N/O | Predaj | Nákup | Poznámka |
|---------|--------------|-------------------------------|-----|----|-----|--------|-------|----------|
| 042     | 234005-0     | COMPRESSION SPRING 9          |     | 1  |     |        |       |          |
| 043     | 213017-6     | O-KRÚŽOK 6                    |     | 1  |     |        |       |          |
| 044     | 454821-6     | GEAR HOUSING                  |     | 1  |     |        |       |          |
| 045     | 266041-8     | SKRUTKA SAMOREZNÁ 5X25 HR2010 |     | 4  |     |        |       |          |
| 046     | 210028-2     | BALL BEARING 606ZZ            |     | 1  |     |        |       |          |
| 047     | 961006-2     | POISTNY KRUZOK S-10           |     | 1  |     |        |       |          |
| 048     | 221427-3     | WORM GEAR                     |     | 1  |     |        |       |          |
| 049     | 196419-0     | OIL PUMP SET                  |     | 1  | *   |        |       |          |
| D10     |              | INC. 48                       |     |    | *   |        |       |          |
| 049-1   | 142156-4     | OIL PUMP COMPLETE             | <   | 1  |     |        |       |          |
| 050     | 424612-9     | GROMMET                       |     | 1  |     |        |       |          |
| 051     | 265995-6     | SKRUTKA SAMOREZNÁ 4x18        |     | 1  |     |        |       |          |
| 052     | 227627-3     | SPIRAL BEVEL GEAR 37          |     | 1  |     |        |       |          |
| 053     | 326373-6     | SPINDLE                       |     | 1  |     |        |       |          |
| 054     | 210107-6     | BALL BEARING 6001ZZ           |     | 1  |     |        |       |          |
| 055     | 454823-2     | FRONT HANDLE                  |     | 1  |     |        |       |          |
| 056     | 266041-8     | SKRUTKA SAMOREZNÁ 5X25 HR2010 |     | 2  |     |        |       |          |
| 057     | 345651-5     | ZASEKOVY ZUB UC3020A          |     | 1  |     |        |       |          |
| 058     | 266041-8     | SKRUTKA SAMOREZNÁ 5X25 HR2010 |     | 2  |     |        |       |          |
| 059     | 319091-3     | BEARING HOUSING               |     | 1  |     |        |       |          |
| 060     | 266044-2     | SKRUTKA SAMOREZNÁ 5x60        |     | 2  |     |        |       |          |
| 061     | 267195-4     | PODLOŽKA 4 DCS230T            |     | 1  |     |        |       |          |
| 062     | 266026-4     | SKRUTKA 4x12                  |     | 1  |     |        |       |          |
| 063     | 168426-3     | BRAKE BAND                    |     | 1  |     |        |       |          |
| 064     | 125331-7     | BUBON SPOJKY                  |     | 1  |     |        |       |          |
| 065     | 253215-0     | PODLOŽKA 8                    |     | 1  |     |        |       |          |
| 066     | 259033-4     | PODLOŽKA ZAISTOVACIA ES2130A  |     | 1  |     |        |       |          |
| 067     | 266427-6     | TAPPING SCREW 4X12            |     | 1  |     |        |       |          |
| 068     | 454818-5     | COVER                         |     | 1  |     |        |       |          |
| 069     | 227496-2     | PASTOROK 14 UC3020A           |     | 1  |     |        |       |          |
| 070     | 326372-8     | ADJUST SCREW                  |     | 1  |     |        |       |          |
| 071     | 326310-0     | ADJUST PIN                    |     | 1  |     |        |       |          |
| 072     | 266427-6     | TAPPING SCREW 4X12            |     | 3  |     |        |       |          |
| 073     | 142342-7     | SPROCKET COVER COMPLETE       |     | 1  | *   |        |       |          |
| 073-1   | 183B54-5     | SPROCKET COVER SET            | <   | 1  |     |        |       |          |
| C10     | 142342-7     | SPROCKET COVER COMPLETE       |     | 1  |     |        |       |          |
| D10     |              | INC. 67-73,75-78              |     |    |     |        |       |          |
| 075     | 263002-9     | KOLÍK GUMA 4                  |     | 1  |     |        |       |          |
| 076     | 142665-3     | DRIVE GEAR COMPLETE           |     | 1  |     |        |       |          |
| 077     | 454819-3     | NUT COVER                     |     | 1  |     |        |       |          |
| 078     | 142235-8     | NUT COMPLETE                  |     | 1  |     |        |       |          |
| 081     | 324685-1     | ZAIST.OBJIMKA                 |     | 1  |     |        |       |          |
| A01     | 158024-1     | HOOK COMPLETE                 |     | 1  |     |        |       |          |
| A02     | 165200-0     | GUIDE BAR                     |     | 1  |     |        |       |          |
| A03     | 419288-5     | CHAIN COVER                   |     | 1  |     |        |       |          |
| A04     | 196211-4     | SAW CHAIN SET                 |     | 1  |     |        |       |          |
| E01     | 805011-8     | SOUND 103DB LABEL             |     | 1  |     |        |       |          |
|         |              |                               |     |    |     |        |       |          |