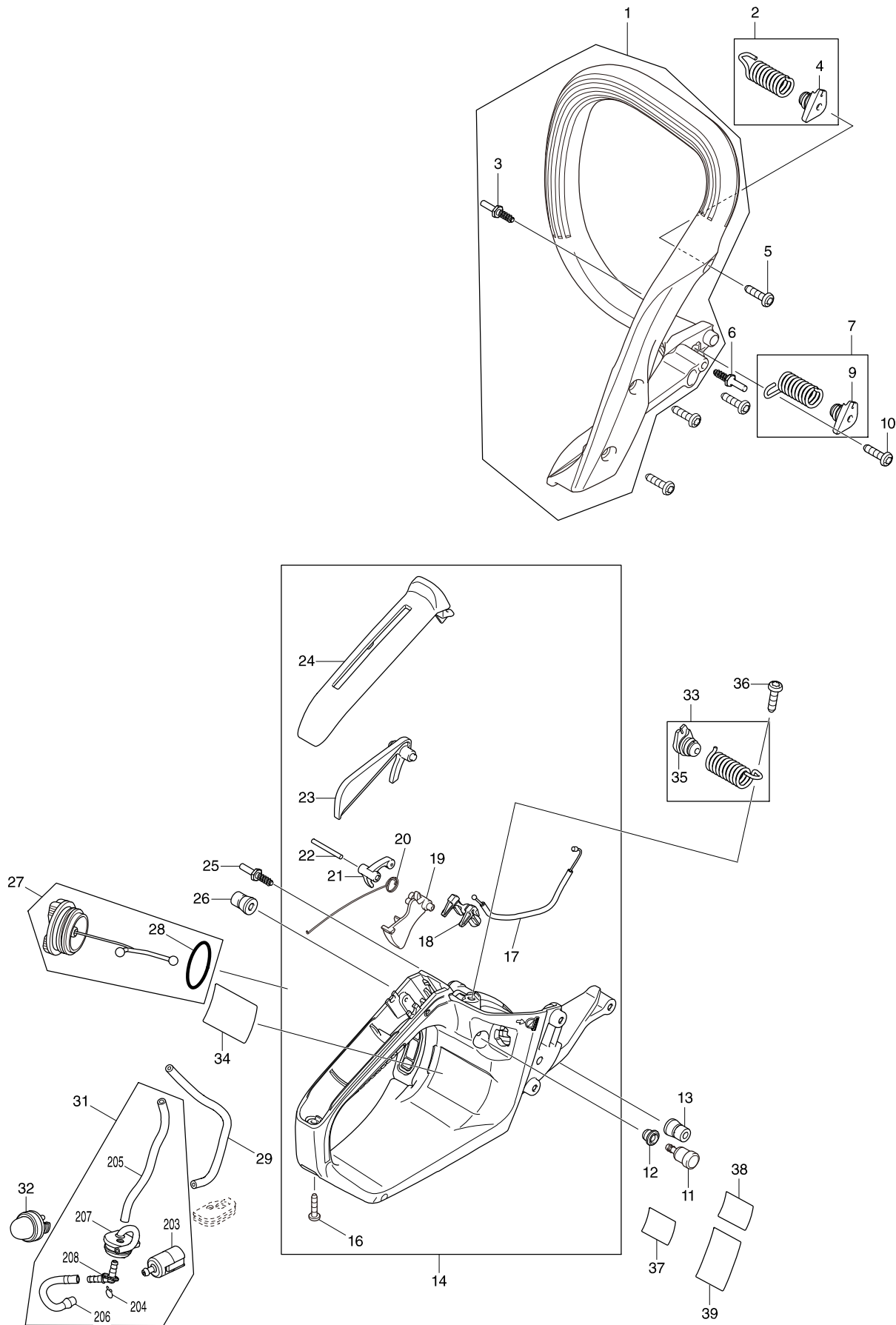
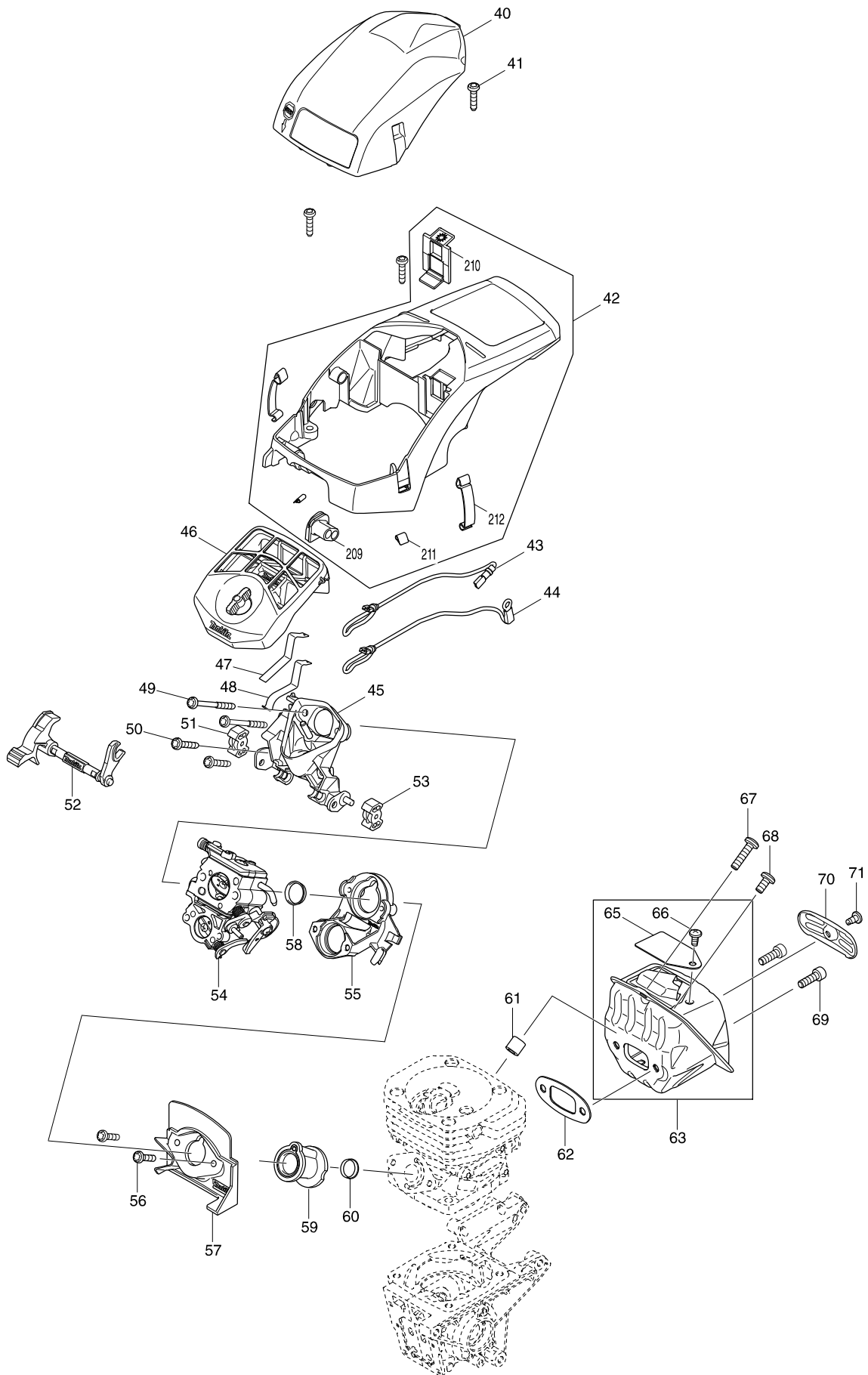


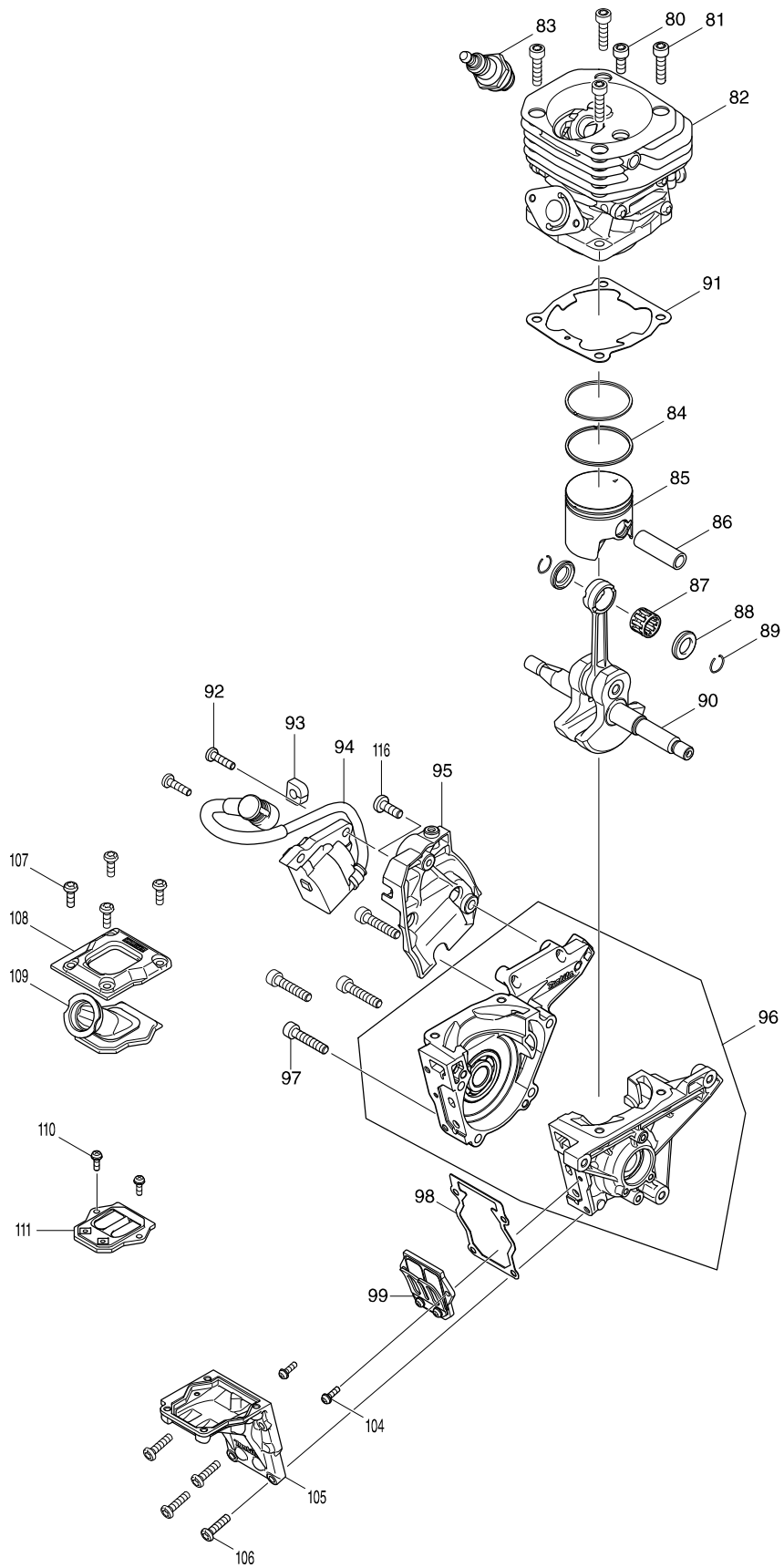
Model PS352TLC PETROL CHAIN SAW



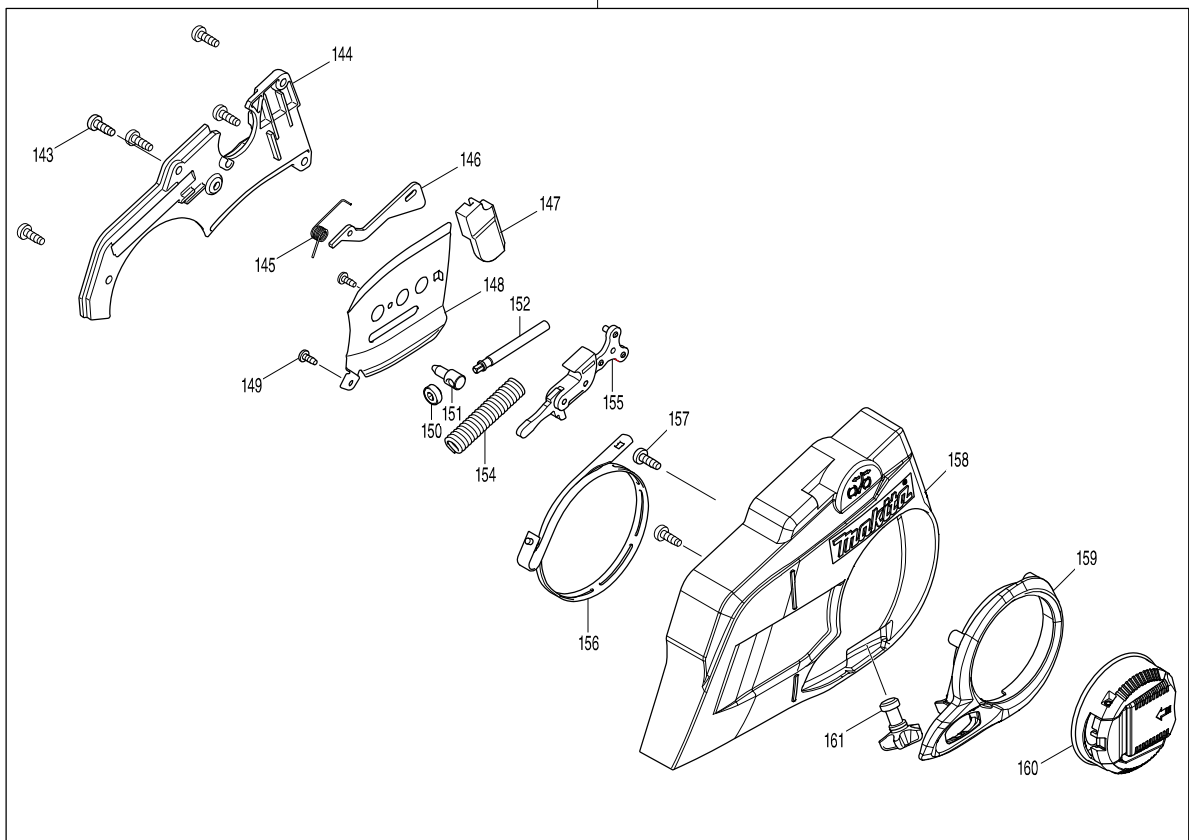
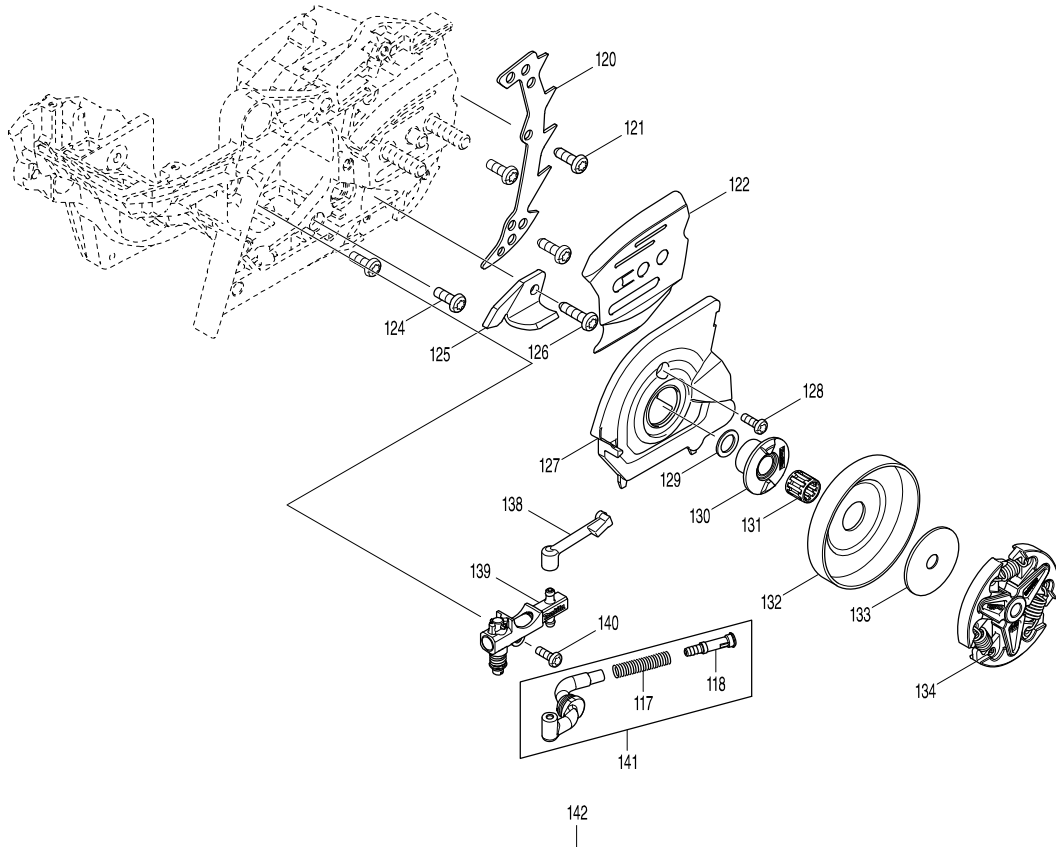
Model PS352TLC PETROL CHAIN SAW



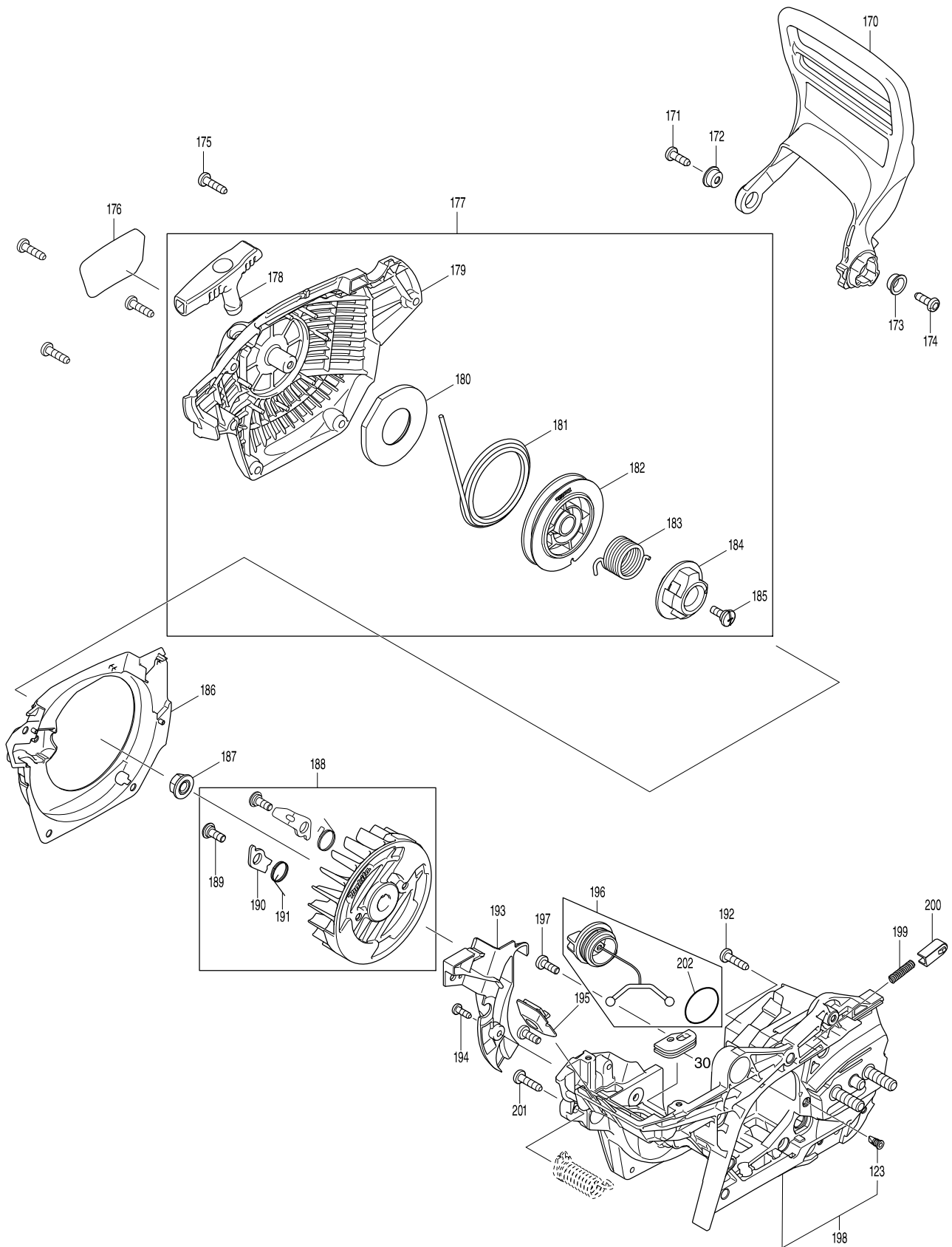
Model PS352TLC PETROL CHAIN SAW



Model PS352TLC PETROL CHAIN SAW

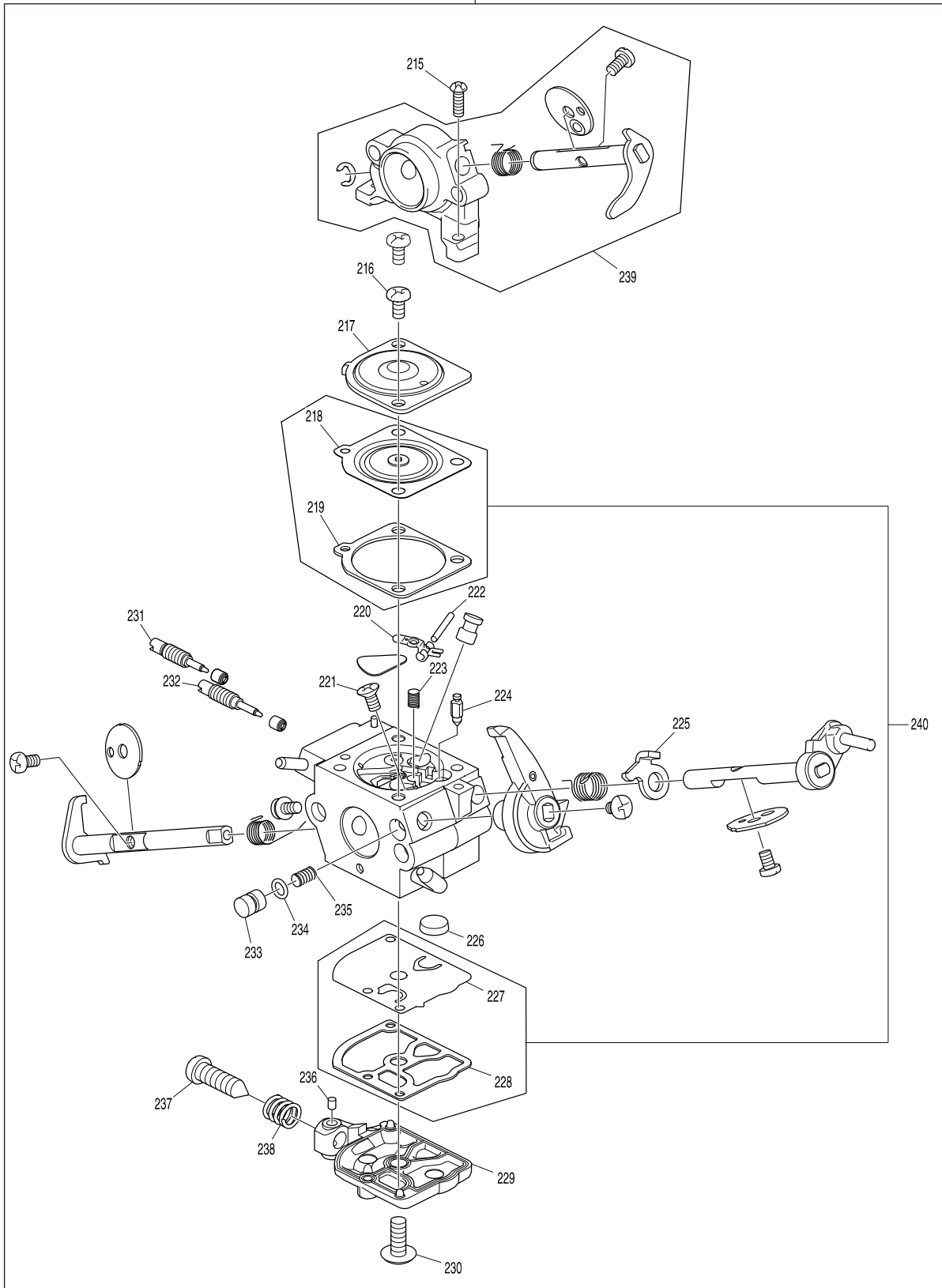


Model PS352TLC PETROL CHAIN SAW



Model PS352TLC PETROL CHAIN SAW

54



Model PS352TLC PETROL CHAIN SAW

Strana 1 / 5

Položka	Objednávacie	Popis	I/C	ks	N/O	Možnosť 1	Možnosť 2	Poznámka
001	142225-1	FRONT HANDLE COMPLETE		1				
D10		INC. 3						
002	142226-9	DAMPER SPRING R COMPLETE		1				
D10		INC. 4						
003	326339-6	STOPPER PIN		1				
004	454506-4	SPRING HOLDER		1				
005	266856-3	H.L. TAPPING SCREW 5X20		4				
006	326339-6	STOPPER PIN		1				
007	142227-7	DAMPER SPRING F COMPLETE		1				
D10		INC. 9						
009	454506-4	SPRING HOLDER		1				
010	266856-3	H.L. TAPPING SCREW 5X20		1				
011	168396-6	FILTER PALIVOVÝ DCS230T		1				
012	424576-7	GROMMET		1				
013	424577-5	SIDE STOPPER		1				
014	126346-7	RIGHT HANDLE ASSEMBLY		1				
D10		INC. 16-24						
016	266858-9	H.L. TAPPING SCREW 4X18		1				
017	168812-8	THROTTLE CABLE		1				
018	454501-4	CABLE BRACKET		1				
019	454499-5	THROTTLE LEVER		1				
020	233606-1	RETURN SPRING		1				
021	454500-6	CABLE PULL LEVER		1				
022	268187-6	PIN 3		1				
023	454502-2	LOCKOUT LEVER		1				
024	454503-0	GRIP COVER		1				
025	326339-6	STOPPER PIN		1				
026	424577-5	SIDE STOPPER		1				
027	168507-3	TANK CAP COMPLETE		1				
D10		INC. 28						
028	213080-9	O RING 29.5		1				
029	422116-5	JOINT PIPE		1				
030	424573-3	DUST GROMMET		1				
031	126347-5	FUEL PIPE ASSEMBLY		1				
D10		INC. 203-208						
032	168398-2	PUMPA BENZÍNOVÁ DCS230T		1				
033	142226-9	DAMPER SPRING R COMPLETE		1				
D10		INC. 35						
034	814S97-5	PS-352 TLC NAME PLATE		1				
035	454506-4	SPRING HOLDER		1				
036	266856-3	H.L. TAPPING SCREW 5X20		1				
038	805U48-1	SOUND 111DB LABEL		1				
039	801Y91-2	GAS EMISSION APPROVAL LABEL		1				
040	142240-5	CLEANER COVER COMPLETE		1				
C10	263002-9	KOLÍK GUMA 4		1				
041	266858-9	H.L. TAPPING SCREW 4X18		3				
042	126344-1	CYLINDER COVER ASSEMBLY		1				
D10		INC. 209-212						

Model PS352TLC PETROL CHAIN SAW

Strana 2 / 5

Položka	Objednávacie	Popis	I/C	ks	N/O	Možnosť 1	Možnosť 2	Poznámka
043	632A97-3	SWITCH CORD		1				
044	632A98-1	EARTH CORD		1				
045	454532-3	MANIFOLD		1				
046	126370-0	CLEANER ASSEMBLY		1				
C10	454537-3	KNOB		1				
047	346704-3	EARTH PLATE		1				
048	346705-1	SWITCH SPRING		1				
049	266860-2	H.L. TAPPING SCREW 4X15		2				
050	266861-0	H.L. TAPPING SCREW 4X22		2				
051	424582-2	DAMPER		1				
052	454533-1	SWITCH LEVER		1				
053	424582-2	DAMPER		1				
054	168819-4	CARBURETOR ASSEMBLY		1				
D10		INC. 215-239						
055	454531-5	BRACKET		1				
056	266848-2	H.L.HEAD BIND BOLT M4X16		2				
057	454488-0	BUFFLE PLATE		1				
058	332074-6	INNER RING		1				
059	424571-7	INLET PIPE		1				
060	332075-4	INNER RING		1				
061	326304-5	SPACER		1				
062	413164-5	MUFFLER GASKET		1				
063	126342-5	MUFFLER ASSEMBLY		1				
D10		INC. 65,66						
065	352023-7	SCREEN		1				
066	266796-5	TAPPING SCREW 4X8		1				
067	266851-3	H.L.BIND BOLT M5X20		1				
068	266850-5	H.L.BIND BOLT M5X10		1				
069	266849-0	H.L.SOCKET HEAD BOLT M5X16		2				
070	346691-6	DUST COVER		1				
071	266936-5	H.L.BIND BOLT M4X8		1				
080	266859-7	H.L.SOCKET HEAD BOLT M5X12		1				
081	266847-4	H.L.SOCKET HEAD BOLT M5X20		4				
082	142223-5	CYLINDER COMPLETE		1				
083	649500-1	SPARK PLUG (BPMR8Y)		1				
084	257365-3	PISTON RING		2				
085	319023-0	PISTON		1				
086	268331-5	PISTON PIN		1				
087	212127-6	NEEDLE CAGE 1011		1				
088	346698-2	THRUST WASHER		2				
089	234307-4	RETEAINING RING		2				
090	142229-3			1				
091	413163-7	BASE GASKET		1				
092	266848-2	H.L.HEAD BIND BOLT M4X16		2				
093	424581-4	GROMMET		1				
094	126350-6	IGNITION COIL ASSEMBLY		1				
C10	424580-6	PLUG CAP		1				
095	454520-0	PLATE		1				

Model PS352TLC PETROL CHAIN SAW

Strana 3 / 5

Položka	Objednávacie	Popis	I/C	ks	N/O	Možnosť 1	Možnosť 2	Poznámka
096	142224-3	CRANK CASE COMPLETE		1				
C10	213697-8	OIL SEAL		2				
097	266852-1	H.L.SOCKET HEAD BOLT M5X25		4				
098	413165-3	GASKET		1				
099	126343-3	REED VALVE		1				
104	911013-5	PAN HEAD SCREW M3X10		2				
105	319022-2	REED VALVE COVER		1				
106	266848-2	H.L.HEAD BIND BOLT M4X16		4				
107	266846-6	H.L.BIND BOLT M4X12		4				
108	454489-8	BRACKET		1				
109	424572-5	AIR BOOT		1				
110	911013-5	PAN HEAD SCREW M3X10		2				
111	126343-3	REED VALVE		1				
116	266854-7	H.L. BIND BOLT M5X14		1				
117	234207-8	COMPRESSION SPRING 6		1				
118	452666-6	NIPPLE		1				
120	346695-8	SPIKE BUMPER		1				
121	266857-1	H.L. TAPPING SCREW 5X16		2				
122	346694-0	GUIDE PLATE ES		1				
123	421298-0	CHECK VALVE		1				
124	266854-7	H.L. BIND BOLT M5X14		3				
125	346722-1	CHAIN CATCHER		1				
126	266856-3	H.L. TAPPING SCREW 5X20		1				
127	454509-8	PUMP COVER		1				
128	266846-6	H.L.BIND BOLT M4X12		1				
129	267047-9	PODLOŽKA 10		1				
130	221427-3	WORM GEAR		1				
131	212129-2	NEEDLE CAGE 1013		1				
132	165725-4	CLUTCH DRUM COMPLETE		1				
133	346693-2	BACK PLATE		1				
134	126348-3	CLUTCH ASSEMBLY		1				
C10	231883-9	TENSION SPRING 8		3				
138	424579-1	OIL PIPE (OUT)		1				
139	142156-4	OIL PUMP COMPLETE		1				
140	266846-6	H.L.BIND BOLT M4X12		1				
141	126349-1	OIL PIPE ASSEMBLY		1				
D10		INC. 117,118						
142	126374-2	CHAIN COVER ASSEMBLY		1				
D10		INC. 143-152,154-161						
143	266855-5	H.L. TAPPING SCREW 4X12		5				
144	454515-3	SPRING COVER		1				
145	233607-9	TORSION SPRING 6		1				
146	346702-7	LEVER		1				
147	313265-8	WEIGHT		1				
148	346699-0	GUIDE PLATE CS		1				
149	266166-8	TAPPING SCREW CT 3X8		1				
150	227496-2	PASTOROK 14 UC3020A		1				
151	326310-0	ADJUST PIN		1				

Model PS352TLC PETROL CHAIN SAW

Strana 4 / 5

Položka	Objednávacie	Popis	I/C	ks	N/O	Možnosť 1	Možnosť 2	Poznámka
152	326312-6	ADJUST SCREW		1				
154	234304-0	COMPRESSION SPRING 7		1				
155	142234-0	LEVER COMPLETE		1				
156	142119-0	BRAKE BAND COMPLETE		1				
157	266855-5	H.L. TAPPING SCREW 4X12		2				
158	454549-6	CHAIN COVER		1				
159	454519-5	NUT COVER		1				
160	142235-8	NUT COMPLETE		1				
161	142288-7	WHEEL COMPLETE		1				
C10	213011-8	O-KRÚŽOK 7 213011-8		1				
170	142228-5	FRONT GUARD COMPLETE		1				
C10	802E03-8	CAUTION LABEL		1				
171	266857-1	H.L. TAPPING SCREW 5X16		1				
172	346697-4	HOLDER		1				
173	346697-4	HOLDER		1				
174	266857-1	H.L. TAPPING SCREW 5X16		1				
175	266856-3	H.L. TAPPING SCREW 5X20		4				
176	801Y97-0	PS-352TLC MODEL NO. LABEL		1				
177	126352-2	RECOIL STARTER ASSEMBLY		1				
D10		INC. 178-185						
178	454522-6	STARTER GRIP		1				
179	142238-2	STARTER CASE COMPLETE		1				
180	SG00000020	SPRING ASSEMBLY		1				
181	SG00000025	STARTER ROPE		1				
182	454523-4	REEL		1				
183	SG00000023	DAMPER SPRING		1				
184	454524-2	RATCHET WHEEL		1				
185	266777-9	TAPPING SCREW 5X12		1				
186	142213-8	FAN COVER COMPLETE		1				
187	264094-1	HEX.NUT M8-12 WITH CW		1				
188	142236-6	FLYWHEEL COMPLETE		1				
D10		INC. 189-191						
189	266866-0	H.L.SOCKET HEAD BOLT M5X12		2				
190	346703-5	RATCHET		2				
191	233609-5	TORSION SPRING 15		2				
192	266856-3	H.L. TAPPING SCREW 5X20		1				
193	454493-7	AIR GUIDE PLATE		1				
194	266855-5	H.L. TAPPING SCREW 4X12		1				
195	424574-1	DUMPER STOPPER		1				
196	168508-1	TANK CAP COMPLETE		1				
D10		INC. 202						
197	266854-7	H.L. BIND BOLT M5X14		2				
198	135661-8	ENGINE CASE ASS'Y		1				
D10		INC. 123						
199	234210-9	COMPRESSION SPRING 6		1				
200	313212-9	HAND GUARD GUIDE		1				
201	266856-3	H.L. TAPPING SCREW 5X20		1				
202	213355-6	O-RING 25		1				

