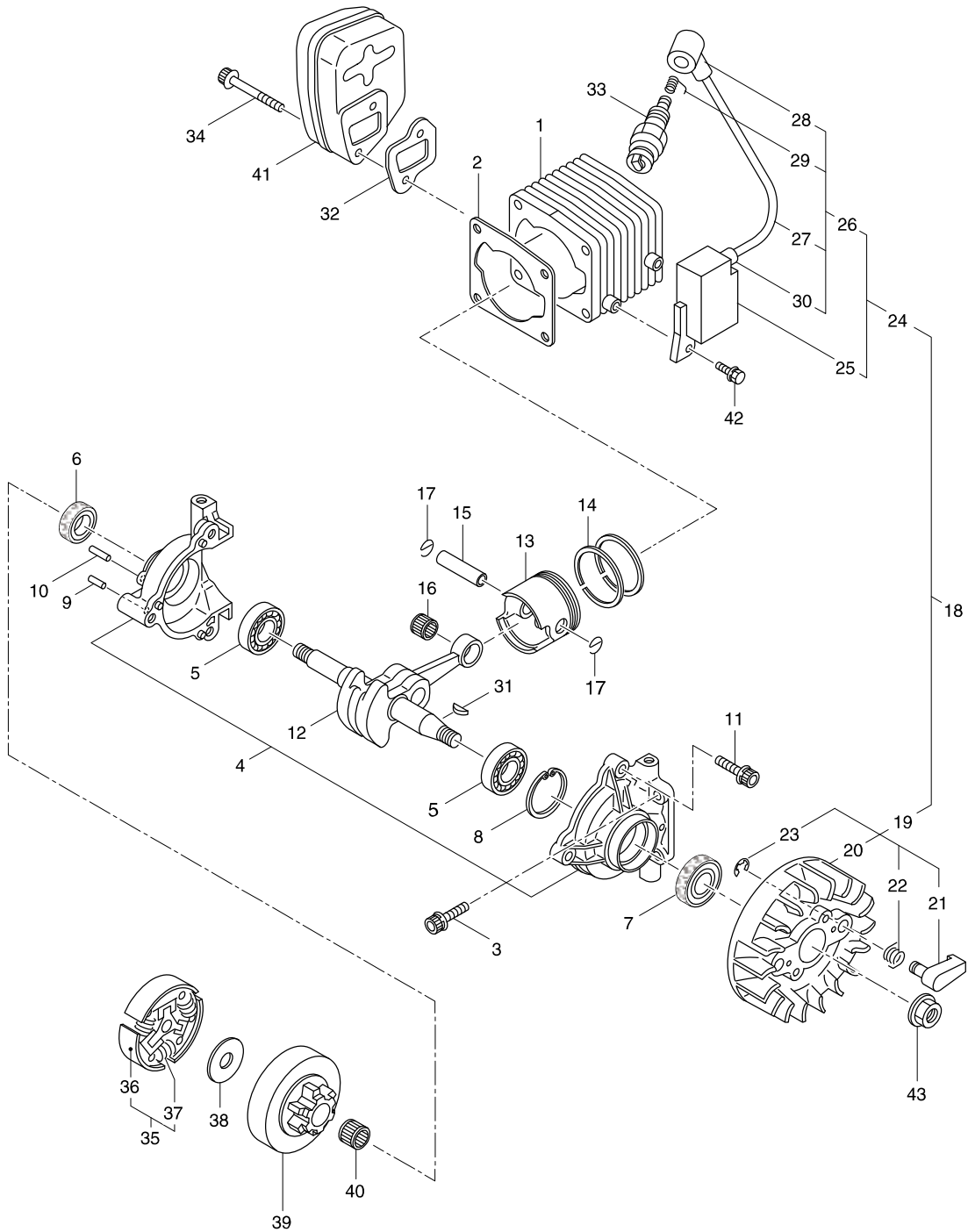
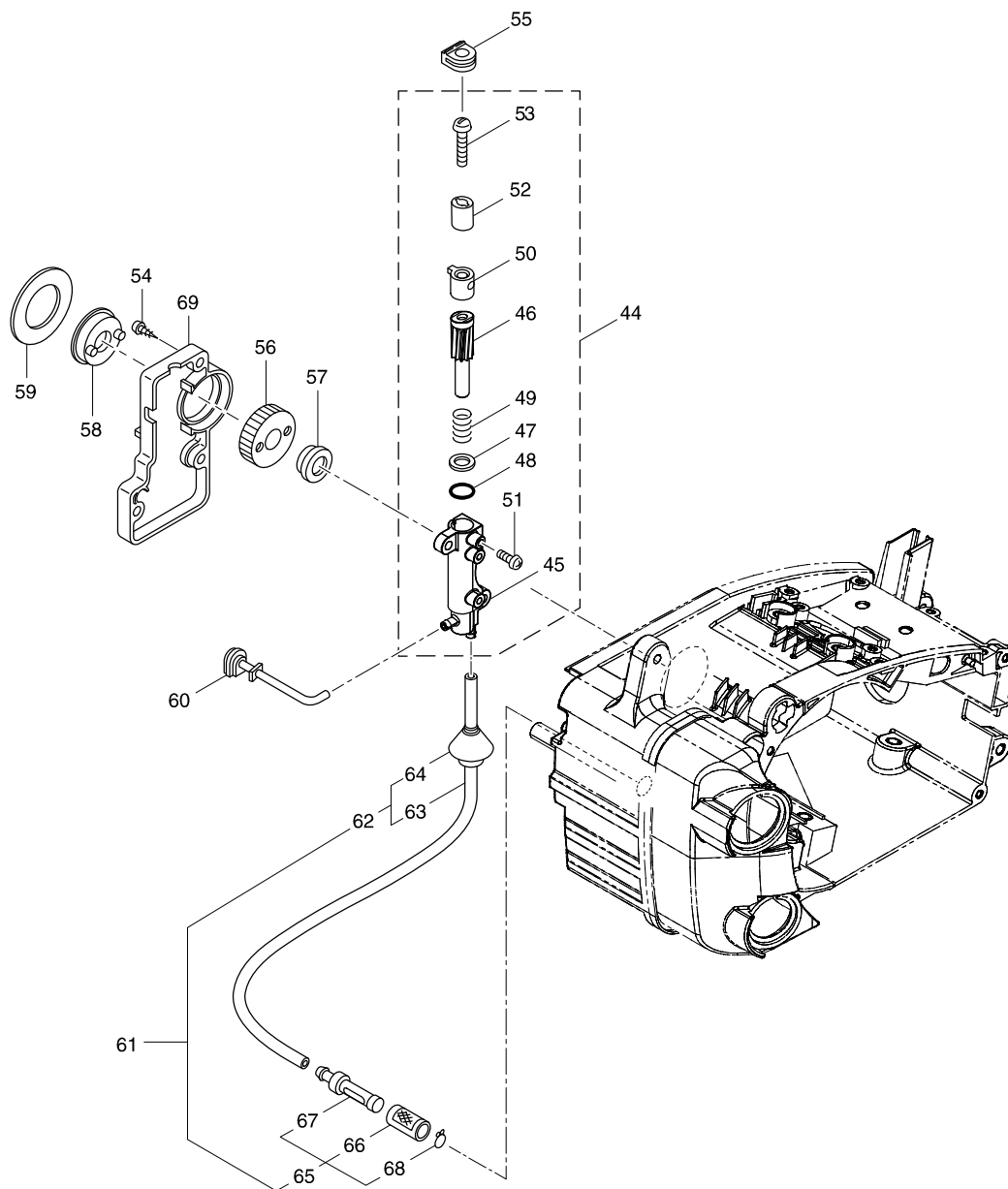


Model PS310TH PETROL CHAIN SAW



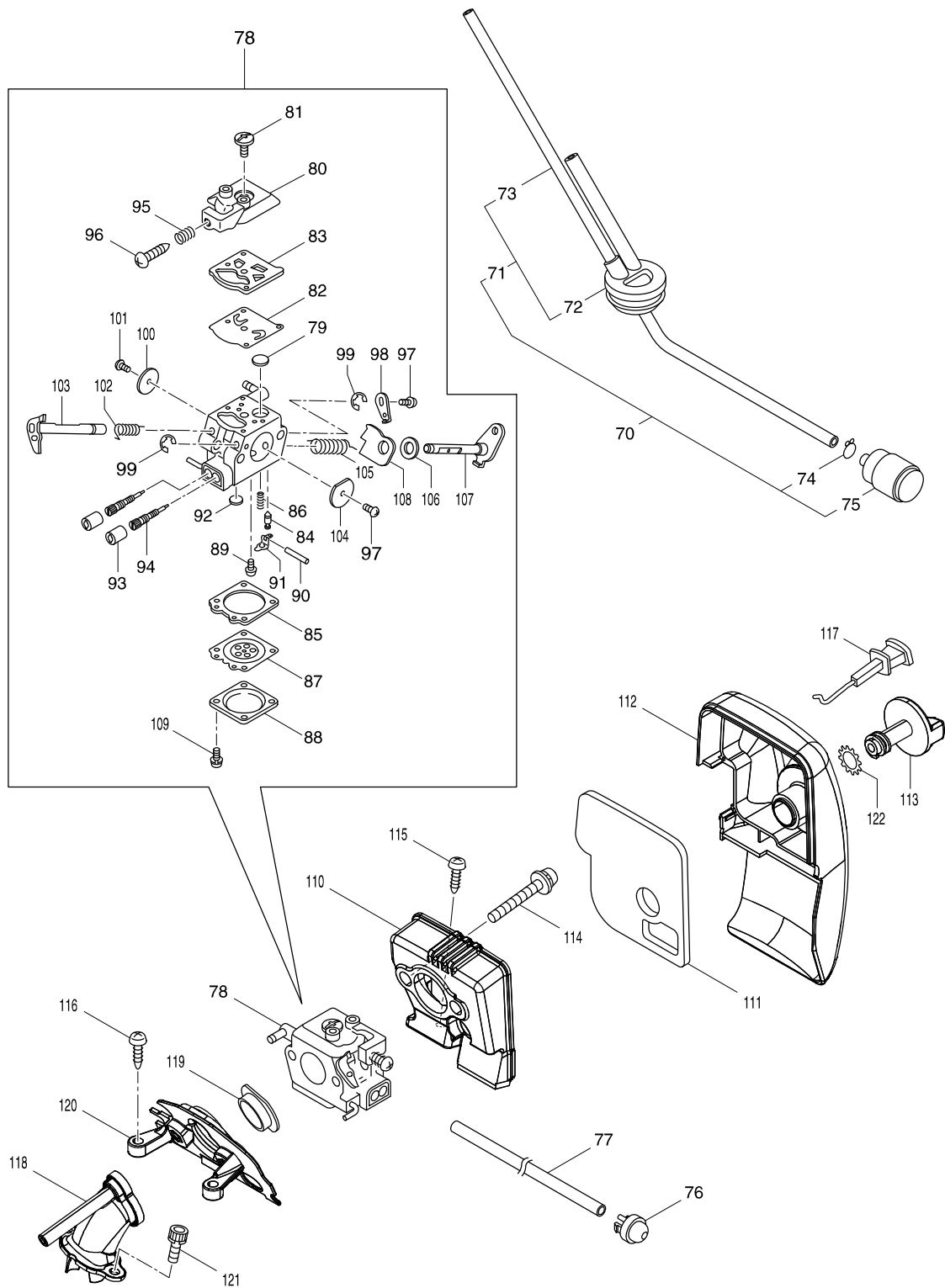
2011/08
PS310TH 1/8

Model PS310TH PETROL CHAIN SAW

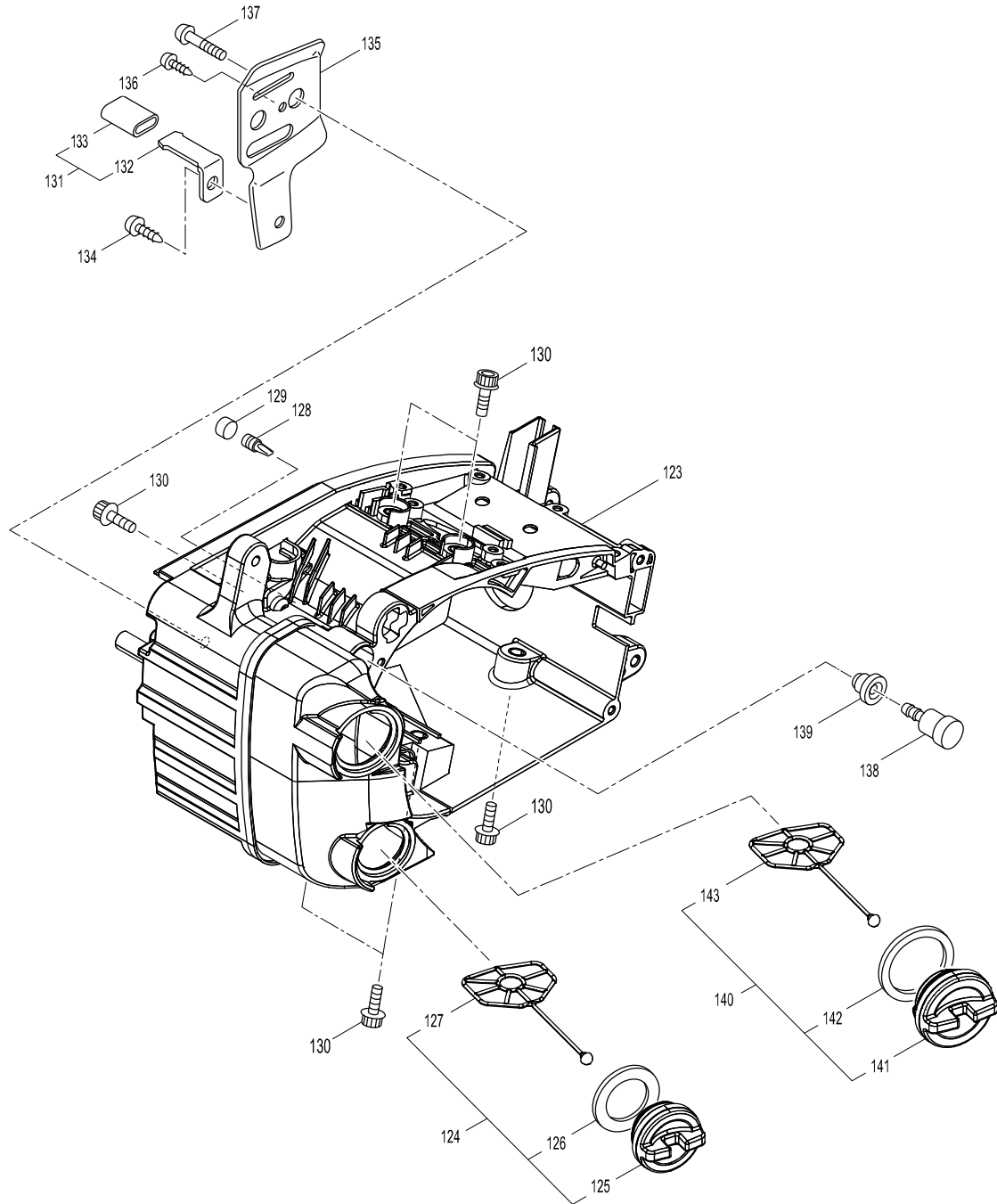


2011/08
PS310TH 2/8

Model PS310TH PETROL CHAIN SAW



Model PS310TH PETROL CHAIN SAW



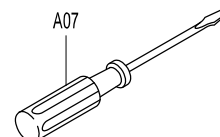
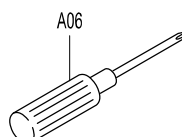
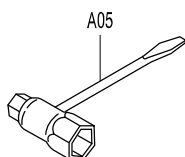
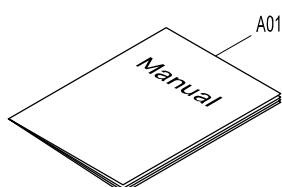
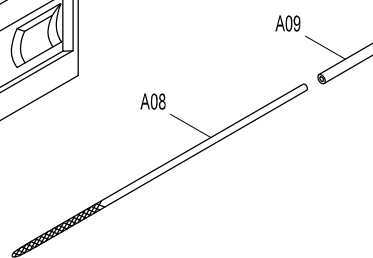
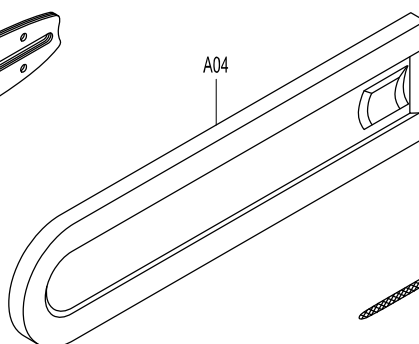
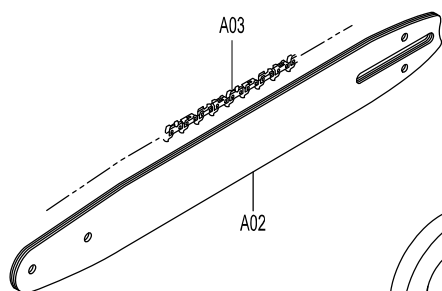
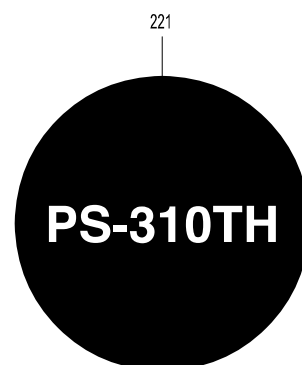
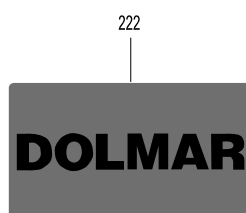
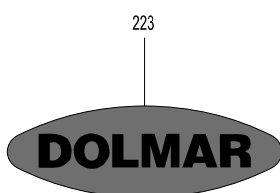
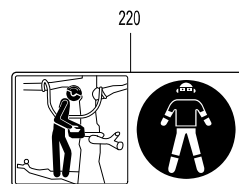
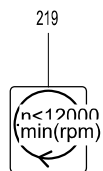
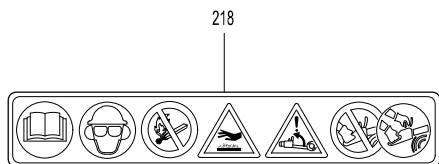
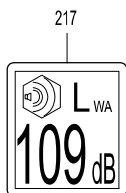
2011/08
PS310TH 4/8

Model PS310TH PETROL CHAIN SAW

Model PS310TH PETROL CHAIN SAW

Model PS310TH PETROL CHAIN SAW

Model PS310TH PETROL CHAIN SAW



2011/08
PS310TH 8/8

Model PS310TH PETROL CHAIN SAW

Strana 1 / 6

| Položka | Objednávacie | Popis | I/C | ks | N/O | Možnosť 1 | Možnosť 2 | Poznámka |
|---------|--------------|-------------------------------|-----|----|-----|-----------|-----------|----------|
| 001 | MR00287010 | CYLINDER ASS'Y | | 1 | | | | |
| 002 | MR00285541 | GASKET | | 1 | | | | |
| 003 | MR00261232 | CAP SCREW M5X20 | | 4 | | | | |
| 004 | MR00286011 | CRANKCASE | | 1 | | | | |
| 005 | MR00285521 | BEARING | | 2 | | | | |
| 006 | MR00285626 | OIL SEAL | | 1 | | | | |
| 007 | MR00261492 | OIL SEAL | | 1 | | | | |
| 008 | MR00055185 | SNAP RING #28 | | 1 | | | | |
| 009 | MR00285530 | PIN | | 1 | | | | |
| 010 | MR00285529 | PIN | | 1 | | | | |
| 011 | MR00261232 | CAP SCREW M5X20 | | 3 | | | | |
| 012 | MR00285599 | CRANKSHAFT COMP. | | 1 | | | | |
| 013 | MR00285049 | PISTON | | 1 | | | | |
| 014 | MR00285590 | PISTON RING | | 2 | | | | |
| 015 | MR00285591 | PISTON PIN | | 1 | | | | |
| 016 | MR00261037 | BEARING,NEEDLE KBK8X11X11.8X1 | | 1 | | | | |
| 017 | MR00261576 | CLIP,PISTON | | 2 | | | | |
| 018 | MR00285554 | MAGNETO ASS'Y | | 1 | | | | |
| D10 | | INC.019-030 | | | | | | |
| 019 | MR00288365 | ROTOR ASS'Y | | 1 | | | | |
| D10 | | INC.020-023 | | | | | | |
| 020 | MR00285555 | MAGNETO ROTOR | | 1 | | | | |
| 021 | MR00285553 | STARTER PAWL | | 2 | | | | |
| 022 | MR00285552 | SPRING | | 2 | | | | |
| 023 | MR00020299 | E-RING #4 | | 2 | | | | |
| 024 | MR00285556 | IGNITION COIL ASS'Y | | 1 | | | | |
| D10 | | INC.025-030 | | | | | | |
| 025 | MR00286095 | IGNITION COIL | | 1 | | | | |
| 026 | MR00286096 | CORD ASS'Y | | 1 | | | | |
| D10 | | INC.027-030 | | | | | | |
| 027 | MR00286097 | CORD | | 1 | | | | |
| 028 | MR00261074 | PLUG BOOT | | 1 | | | | |
| 029 | MR00261075 | CONNECTOR | | 1 | | | | |
| 030 | MR00261072 | CAP | | 1 | | | | |
| 031 | MR00261076 | WOODRUFF KEY 3X10 | | 1 | | | | |
| 032 | MR00285472 | GASKET | | 1 | | | | |
| 033 | MR00262483 | SPARK PLUG NGK BPMR6Y | | 1 | | | | |
| 034 | MR00264223 | CAP SCREW M5X40 | | 2 | | | | |
| 035 | MR00285535 | CLUTCH ASS'Y | | 1 | | | | |
| D10 | | INC.036,037 | | | | | | |
| 036 | MR00285655 | CLUTCH SHOE | | 3 | | | | |
| 037 | MR00285656 | SPRING | | 3 | | | | |
| 038 | MR00285537 | WASHER 8X26XT2 | | 1 | | | | |
| 039 | MR00286238 | CLUTCH DRUM | | 1 | | | | |
| 040 | MR00285624 | NEEDLE BEARING 10X13X13 | | 1 | | | | |
| 041 | MR00285833 | MUFFLER ASS'Y | | 1 | | | | |
| 042 | MR00281211 | CAP SCREW M4X20 | | 2 | | | | |
| 043 | MR00261417 | NUT,ROTOR M8 | | 1 | | | | |

Model PS310TH PETROL CHAIN SAW

Strana 2 / 6

| Položka | Objednávacie | Popis | I/C | ks | N/O | Možnosť 1 | Možnosť 2 | Poznámka |
|---------|--------------|-------------------------|-----|----|-----|-----------|-----------|----------|
| 044 | MR00286816 | OIL PUMP ASS'Y | | 1 | | | | |
| D10 | | INC.045-053 | | | | | | |
| 045 | MR00285527 | PUMP BODY | | 1 | | | | |
| 046 | MR00285550 | WHEEL GEAR | | 1 | | | | |
| 047 | MR00286801 | WASHER 6.5X9.8XT0.5 | | 1 | | | | |
| 048 | MR00014759 | O-RING P6 | | 1 | | | | |
| 049 | MR00285551 | SPRING | | 1 | | | | |
| 050 | MR00285534 | PUMP CAP | | 1 | | | | |
| 051 | MR00285630 | SCREW M3X8 | | 1 | | | | |
| 052 | MR00288184 | SLEEVE | | 1 | | | | |
| 053 | MR00285617 | SCREW M4X25 | | 1 | | | | |
| 054 | MR00285631 | SCREW M4X16 | | 5 | | | | |
| 055 | MR00285528 | GROMMET | | 1 | | | | |
| 056 | MR00286303 | WORM GEAR | | 1 | | | | |
| 057 | MR00286843 | BUSH | | 1 | | | | |
| 058 | MR00286305 | BUSH | | 1 | | | | |
| 059 | MR00286241 | WASHER | | 1 | | | | |
| 060 | MR00285522 | OIL PIPE A | | 1 | | | | |
| 061 | MR00286802 | OIL PIPE B ASS'Y | | 1 | | | | |
| D10 | | INC.062-068 | | | | | | |
| 062 | MR00285523 | OIL PIPE B ASS'Y | | 1 | | | | |
| D10 | | INC.063,064 | | | | | | |
| 063 | MR00265725 | PIPE L=220 | | 1 | | | | |
| 064 | MR00261339 | GROMMET | | 1 | | | | |
| 065 | MR00286818 | OIL FILTTER ASS'Y | | 1 | | | | |
| D10 | | INC.066-068 | | | | | | |
| 066 | MR00285524 | OIL FILTTER | | 1 | | | | |
| 067 | MR00285525 | OIL FILTTER BODY | | 1 | | | | |
| 068 | MR00261117 | CLIP | | 1 | | | | |
| 069 | MR00285598 | OIL PUMP COVER | | 1 | | | | |
| 070 | MR00285488 | FUEL PIPE ASS'Y | | 1 | | | | |
| D10 | | INC.071-075 | | | | | | |
| 071 | MR00285489 | PIPE ASS'Y | | 1 | | | | |
| D10 | | INC.072,073 | | | | | | |
| 072 | MR00285490 | FUEL GROMMET | | 1 | | | | |
| 073 | MR00285491 | FUEL PIPE A 3X5 L=222 | | 1 | | | | |
| 074 | MR00261117 | CLIP | | 2 | | | | |
| 075 | MR00264653 | FILTER ASS'Y | | 1 | * | | | |
| 075-1 | MR00286749 | FILTER ASS'Y | O | 1 | | | | |
| 076 | MR00282299 | PUMP | | 1 | | | | |
| 077 | MR00285492 | FUEL PIPE B 2.4X5 L=145 | | 1 | | | | |
| 078 | MR00285643 | CARBURETOR ASS'Y | | 1 | | | | |
| D10 | | INC.079-109 | | | | | | |
| 079 | MR00261872 | SCREEN | | 1 | | | | |
| 080 | MR00287168 | PUMP COVER | | 1 | | | | |
| 081 | MR00287169 | SCREW | | 1 | | | | |
| 082 | MR00287170 | DIAPHRAGM | | 1 | | | | |
| 083 | MR00287171 | GASKET | | 1 | | | | |

Model PS310TH PETROL CHAIN SAW

Strana 3 / 6

| Položka | Objednávacie | Popis | I/C | ks | N/O | Možnosť 1 | Možnosť 2 | Poznámka |
|---------|--------------|----------------------|-----|----|-----|-----------|-----------|----------|
| 084 | MR00262986 | NEEDLE VALVE | | 1 | | | | |
| 085 | MR00263727 | GASKET | | 1 | | | | |
| 086 | MR00287172 | SPRING | | 1 | | | | |
| 087 | MR00283905 | DIAPHRAGM, METERRING | | 1 | | | | |
| 088 | MR00263726 | COVER PLATE | | 1 | | | | |
| 089 | MR00287173 | SCREW | | 1 | | | | |
| 090 | MR00262989 | LEVER PIN | | 1 | | | | |
| 091 | MR00262990 | LEVER | | 1 | | | | |
| 092 | MR00287174 | PLUG | | 1 | | | | |
| 093 | MR00287251 | CAP | | 2 | | | | |
| 094 | MR00287252 | NEEDLE | | 2 | | | | |
| 095 | MR00287178 | SPRING | | 1 | | | | |
| 096 | MR00287179 | IDLE ADJUST SCREW | | 1 | | | | |
| 097 | MR00287180 | SCREW | | 2 | | | | |
| 098 | MR00287181 | LEVER | | 1 | | | | |
| 099 | MR00287182 | RING | | 2 | | | | |
| 100 | MR00287183 | THROTTLE VALVE | | 1 | | | | |
| 101 | MR00287184 | SCREW | | 1 | | | | |
| 102 | MR00287185 | SPRING | | 1 | | | | |
| 103 | MR00287186 | SHAFT | | 1 | | | | |
| 104 | MR00287187 | CHOKE VALVE | | 1 | | | | |
| 105 | MR00287188 | SPRING | | 1 | | | | |
| 106 | MR00287189 | WASHER | | 1 | | | | |
| 107 | MR00287190 | SHAFT | | 1 | | | | |
| 108 | MR00287191 | LEVER | | 1 | | | | |
| 109 | MR00287192 | SCREW | | 4 | | | | |
| 110 | MR00285539 | CLEANER BODY | | 1 | | | | |
| 111 | MR00285584 | ELEMENT | | 1 | | | | |
| 112 | MR00285579 | CLEANER COVER | | 1 | | | | |
| 113 | MR00285540 | KNOB | | 1 | | | | |
| 114 | MR00285633 | SCREW M5X45 | | 2 | | | | |
| 115 | MR00285631 | SCREW M4X16 | | 1 | | | | |
| 116 | MR00285631 | SCREW M4X16 | | 2 | | | | |
| 117 | MR00285580 | CHOKE ROD | | 1 | | | | |
| 118 | MR00285495 | INSULATOR | | 1 | | | | |
| 119 | MR00286782 | RING | | 1 | | | | |
| 120 | MR00285497 | PLATE | | 1 | | | | |
| 121 | MR00285618 | BOLT M4X12 | | 2 | | | | |
| 122 | MR00288404 | WASHER | | 1 | | | | |
| 123 | MR00285694 | ENGINE CASE ASS'Y | | 1 | | | | |
| 124 | MR00285501 | OIL CAP ASS'Y | | 1 | | | | |
| D10 | | INC.125-127 | | | | | | |
| 125 | MR00285502 | OIL CAP | | 1 | | | | |
| 126 | MR00285503 | PACKING | | 1 | | | | |
| 127 | MR00285504 | HOLDER | | 1 | | | | |
| 128 | MR00285574 | BREATHER | | 1 | | | | |
| 129 | MR00285526 | ELEMENT | | 1 | | | | |
| 130 | MR00285632 | BOLT M5X16 | | 6 | | | | |

Model PS310TH PETROL CHAIN SAW

Strana 4 / 6

| Položka | Objednávacie | Popis | I/C | ks | N/O | Možnosť 1 | Možnosť 2 | Poznámka |
|---------|--------------|----------------------|-----|----|-----|-----------|-----------|----------|
| 131 | MR00286803 | CHAIN CATCHER ASS'Y | | 1 | | | | |
| D10 | | INC.132,133 | | | | | | |
| 132 | MR00285583 | CHAIN CATCHER | | 1 | | | | |
| 133 | MR00285585 | TUBE 7X10.5 L=18 | | 1 | | | | |
| 134 | MR00285634 | SCREW M5X14 | | 1 | | | | |
| 135 | MR00285531 | GUIDE PLATE L | | 1 | | | | |
| 136 | MR00285627 | SCREW M3X8 | | 1 | | | | |
| 137 | MR00286804 | SCREW M5X20X8 | | 1 | | | | |
| 138 | MR00285832 | BREATHER ASS'Y | | 1 | | | | |
| 139 | MR00285573 | BREATHER GROMMET | | 1 | | | | |
| 140 | MR00286051 | FUEL CAP ASS'Y | | 1 | | | | |
| D10 | | INC.141-143 | | | | | | |
| 141 | MR00286052 | FUEL CAP | | 1 | | | | |
| 142 | MR00286063 | PACKING | | 1 | | | | |
| 143 | MR00285504 | HOLDER | | 1 | | | | |
| 144 | MR00288401 | RECOIL STARTER ASS'Y | | 1 | | | | |
| D10 | | INC.145-154 | | | | | | |
| 145 | MR00288402 | STARTER CASE COMP. | | 1 | | | | |
| 146 | MR00283274 | REEL | | 1 | | | | |
| 147 | MR00283275 | SPRING ASS'Y | | 1 | | | | |
| 148 | MR00283276 | DAMPER SPRING | | 1 | | | | |
| 149 | MR00285597 | CAM PLATE | | 1 | | | | |
| 150 | MR00267213 | SCREW | | 1 | | | | |
| 151 | MR00285697 | ROPE ASS'Y | | 1 | | | | |
| D10 | | INC.152-154 | | | | | | |
| 152 | MR00283279 | STARTER ROPE | | 1 | | | | |
| 153 | MR00285581 | STARTER KNOB | | 1 | | | | |
| 154 | MR00283281 | ROPE STOPPER | | 1 | | | | |
| 155 | MR00285548 | FAN COVER | | 1 | | | | |
| 156 | MR00285631 | SCREW M4X16 | | 4 | | | | |
| 157 | MR00285547 | TOP COVER | | 1 | | | | |
| 158 | MR00286072 | CARBURETOR COVER | | 1 | * | | | |
| 158-1 | MR00286072 | CARBURETOR COVER | O | 1 | | | | |
| 159 | MR00285631 | SCREW M4X16 | | 5 | | | | |
| 160 | MR00285620 | TOP HANDLE CASE | | 1 | | | | |
| 161 | MR00285621 | TOP HANDLE COVER | | 1 | | | | |
| 162 | MR00285635 | SCREW M4X14 | | 3 | | | | |
| 163 | MR00285582 | BUFFER | | 1 | | | | |
| 164 | MR00285565 | PIPE | | 1 | | | | |
| 165 | MR00285473 | CAP | | 1 | | | | |
| 166 | MR00285592 | SPRING | | 1 | | | | |
| 167 | MR00285644 | SCREW M4X12 | | 1 | | | | |
| 168 | MR00285645 | STAY | | 1 | | | | |
| 169 | MR00285593 | SPRING | | 1 | | | | |
| 170 | MR00285604 | BOSS | | 1 | | | | |
| 171 | MR00285636 | SCREW M5X20 | | 1 | | | | |
| 172 | MR00263743 | WASHER 5.7X15.8XT2 | | 1 | | | | |
| 173 | MR00285474 | STOPPER BOLT | | 3 | | | | |

Model PS310TH PETROL CHAIN SAW

Strana 5 / 6

| Položka | Objednávacie | Popis | I/C | ks | N/O | Možnosť 1 | Možnosť 2 | Poznámka |
|---------|--------------|-----------------------|-----|----|-----|-----------|-----------|----------|
| 174 | MR00285602 | THROTTLE LEVER | | 1 | | | | |
| 175 | MR00285603 | SAFETY LEVER | | 1 | | | | |
| 176 | MR00285594 | SPRING | | 1 | | | | |
| 177 | MR00285619 | SIDE HANDLE | | 1 | | | | |
| 178 | MR00285634 | SCREW M5X14 | | 2 | | | | |
| 179 | MR00285558 | CABLE COMP. | | 1 | | | | |
| 180 | MR00286224 | SWITCH ASS'Y | | 1 | | | | |
| D10 | | INC.181-184 | | | | | | |
| 181 | MR00286225 | SWITCH | | 1 | | | | |
| 182 | MR00286226 | LABEL | | 1 | | | | |
| 183 | MR00282171 | KNOB | | 1 | | | | |
| 184 | MR00282172 | SCREW | | 1 | | | | |
| 185 | MR00287300 | GROMMET | | 1 | | | | |
| 186 | MR00285549 | GROMMET | | 1 | | | | |
| 187 | MR00285642 | GROMMET | | 1 | | | | |
| 188 | MR00286002 | GASKET | | 1 | | | | |
| 189 | MR00288548 | CHAIN CASE ASS'Y | | 1 | | | | |
| D10 | | INC.190-215 | | | | | | |
| 190 | MR00288544 | CHAIN CASE | | 1 | | | | |
| 191 | MR00288546 | SIDE COVER | | 1 | | | | |
| 192 | MR00285637 | SCREW M5X12 | | 1 | | | | |
| 193 | MR00285639 | SCREW M4X14 | | 1 | | | | |
| 194 | MR00285644 | SCREW M4X12 | | 1 | | | | |
| 195 | MR00286823 | BRAKE ASS'Y | | 1 | | | | |
| D10 | | INC.196-200 | | | | | | |
| 196 | MR00285605 | SPRING | | 1 | | | | |
| 197 | MR00285572 | BAND | | 1 | | | | |
| 198 | MR00285560 | PIN 3X9.8 | | 1 | | | | |
| 199 | MR00285606 | COLLAR 8.2X12 L=7.2 | | 1 | | | | |
| 200 | MR00285570 | LEVER COMP. | | 1 | | | | |
| 201 | MR00285595 | RETURN SPRING | | 1 | | | | |
| 202 | MR00286057 | FRONT GUARD COMP. | | 1 | | | | |
| D10 | | INC.203-205 | | | | | | |
| 203 | MR00285578 | FRONT GUARD | | 1 | | | | |
| 204 | MR00285563 | PIN 3X29.8 | | 1 | | | | |
| 205 | MR00286048 | PIN 3X23.8L | | 1 | | | | |
| 206 | MR00285638 | SCREW M5X30 | | 1 | | | | |
| 207 | MR00285607 | COLLAR 5.2X7.5 L=22.5 | | 1 | | | | |
| 208 | MR00286045 | WASHER 5.3X15XT1.2 | | 2 | | | | |
| 209 | MR00285640 | NUT M5X0.8 | | 1 | | | | |
| 210 | MR00285532 | GUIDE PLATE R | | 1 | | | | |
| 211 | MR00285627 | SCREW M3X8 | | 2 | | | | |
| 212 | MR00286060 | TENSIONER ASS'Y | | 1 | | | | |
| D10 | | INC.213-215 | | | | | | |
| 213 | MR00285564 | BOSS | | 1 | | | | |
| 214 | MR00285471 | SCREW M5X35 | | 1 | | | | |
| 215 | MR00286004 | WASHER 5 | | 1 | * | | | |
| 215-1 | MR00272943 | WASHER 5 | < | 1 | | | | |

