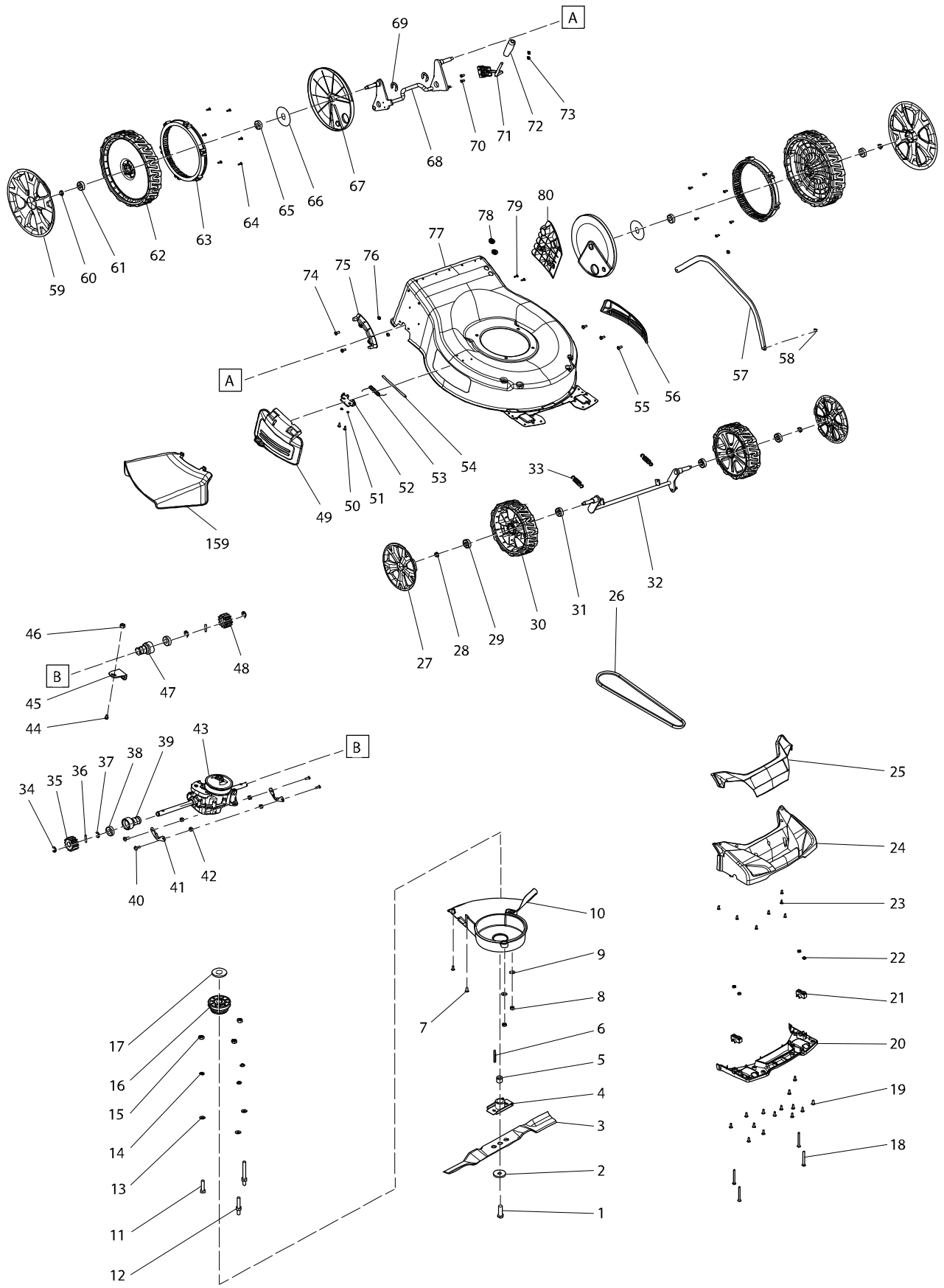
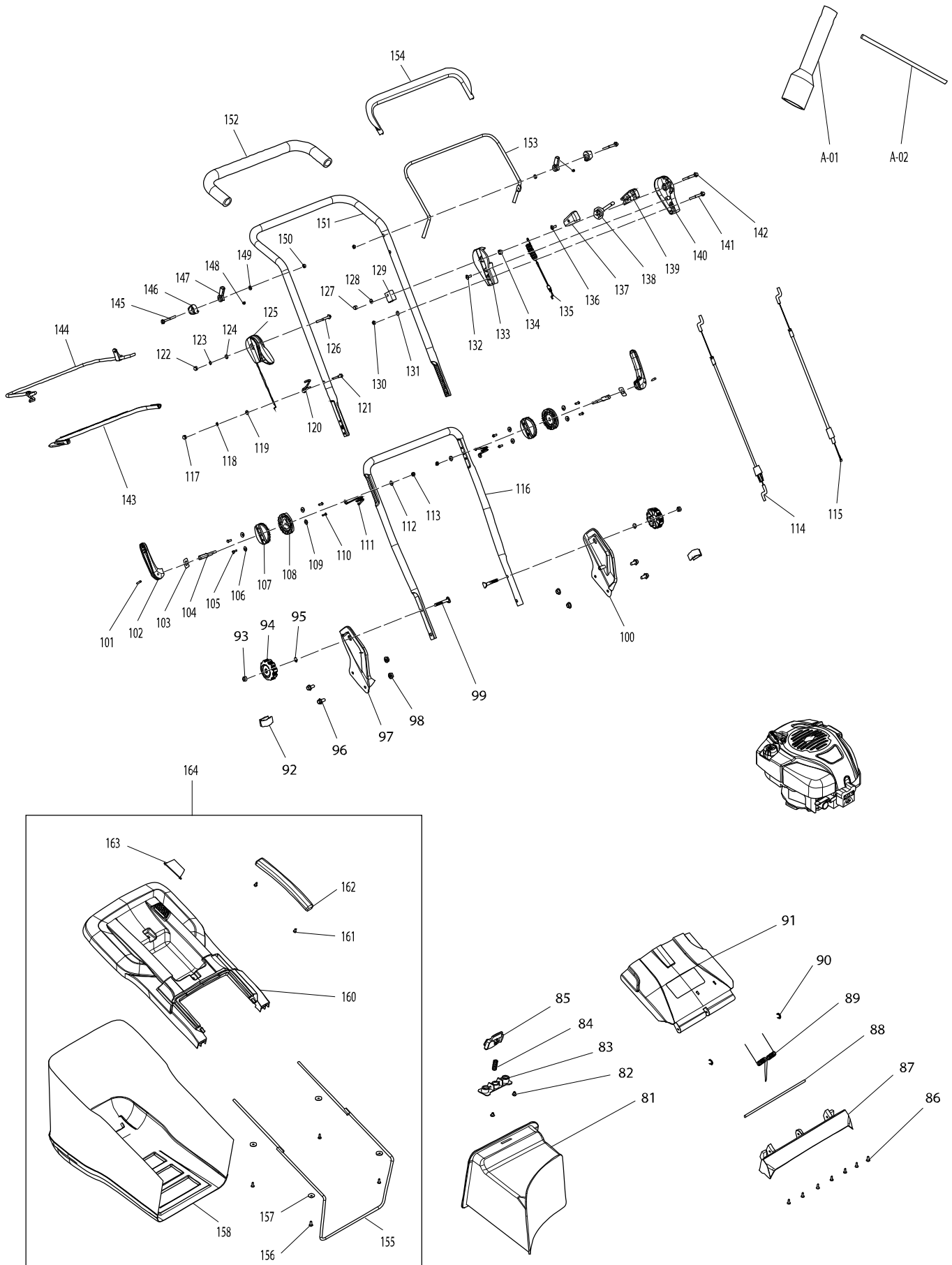


Model PLM5130N PETROL LAWN MOWER



Model PLM5130N PETROL LAWN MOWER



Položka	Objednávacie	Popis	I/C	ks	N/O	Možnosť 1	Možnosť 2	Poznámka
001	DA00000528	BLADE TIGHTEN BOLT		1				
002	671010730	LID SHAPE WASHER		1				
003	671002552	BLADE 20		1				
004	DA00000857	BLADE SUPPORT		1				
005	671002093	BLADE SLEEVE		1				
006	DA00000535	FLAT KEY		1				
007	671001037	SELF-TAPPING SCREW ST5X16		2				
008	671005008	HEXAGON LOCKING NUT		2				
009	671007007	FLAT WASHER M8		2				
010	671030010	BELT PROTECTING COVER		1				
011	DA00000586	HEXAGON BOLT		1				
012	DA00000617	SPECIAL BOLT		2				
013	671007007	FLAT WASHER M8		3				
014	DA00000832	SPRING WASHER		3				
015	DA00000537	HEXAGON FLANGE LOCK NUT		3				
016	671004019	DRIVING BELT WHEEL		1				
017	671002351	FLAT WASHER		1				
018	671006119	HEXAGON FLANGE LOCKING BOLT		4				
019	DA00000826	SELF-DRIVING SCREW ST4*12		14				
020	671552001	FRONT COVER BOTTOM SUPPORT		1				
021	671445001	BRACKET PRESSING BOARD		2				
022	DA00000549	HEXAGON LOCK NUT		4				
023	DA00000826	SELF-DRIVING SCREW ST4*12		7				
024	671030420	FRONT COVER		1				
025	671999001	FRONT COVER BOARD		1				
026	671002056	TRIANGLE BELT		1				
027	671030150	WHEEL COVER		2				
028	DA00000537	HEXAGON FLANGE LOCK NUT		2				
029	DA00000538	BEARING		2				
030	671020160	"8" WHEEL ASS'Y"		2				
031	DA00000538	BEARING		2				
032	671002429	FRONT WHEEL AXLE ASS'Y		1				
033	671011230	SPRING		2				
034	DA00000604	OPEN BLOCK RING		2				
035	DA00000607	RIGHT OUTPUT GEAR ASS'Y		1				
036	DA00000597	COLUMN PIN		2				
037	DA00000604	OPEN BLOCK RING		2				
038	DA00000609	BEARING		2				
039	671002085	BEARING SHEATH		1				
040	671002019	TRIGGER SCREW		4				
041	DA00000542	FIXING RING FOR WHEEL AXIS		2				
042	DA00000543	ALL METAL HEXAGON FLANGE LOCK		4				
043	671502039	GEAR BOX		1				
044	671006181	FIXED BOLT M6X17		1				
045	671002297	POSITION FIXING PLATE		1				
046	DA00000549	HEXAGON LOCK NUT		1				
047	DA00000610	BEARING SHEATH		1				
048	DA00000605	LEFT OUTPUT GEAR ASS'Y		1				

Položka	Objednávacie	Popis	I/C	ks	N/O	Možnosť 1	Možnosť 2	Poznámka
049	671281001	SIDE DISCHARGE COVER BOARD		1				
050	671002010	SCREW M5X12		2				
051	671080040	SPRING WASHER M5		2				
052	671001571	FIXING BOARD		1				
053	671011205	SPRING		1				
054	671001019	POSITION FIXING AXLE OF SIDE		1				
055	671010310	TAPPING SCREW ST4.2X8		3				
056	671427001	PROTECTING BOARD		1				
057	671002430	LINK ROD		1				
058	DA00000549	HEXAGON LOCK NUT		2				
059	671003017	11WHEEL COVER		2				
060	DA00000537	HEXAGON FLANGE LOCK NUT		2				
061	DA00000538	BEARING		2				
062	671002021	11 WHEEL ASS'Y		2				
063	671200010	WHEEL GEAR RING		2				
064	DA00000603	SELF-TAPPING SCREW		12				
065	DA00000538	BEARING		2				
066	671007065	WASHER		2				
067	671251800	DUST-PROOF WHEEL COVER		2				
068	671002347	REAR WHEEL AXLE ASS'Y		1				
069	DA00000612	OPEN BLOCK RING		2				
070	671002041	SCREW M6X17		2				
071	DA00000874	HANDLE ASS'Y		1				
072	671201701	HANDLE SHEATH		1				
073	DA00000549	HEXAGON LOCK NUT		2				
074	DA00000552	TRIGGER SCREW		2				
075	DA00000790	HEIGHT ADJUSTMENT BOARD		1				
076	DA00000549	HEXAGON LOCK NUT		2				
077	671001824	DECK(MAKITA BLUE)		1				
078	671800104	CABLE PROTECTING SHEATH		2				
079	DA00000553	HEXAGON FLANGE BOLT		2				
080	671085001	GRASS DISCHARGE BOARD		1				
081	DA00000844	MULCHING KIT		1				
082	DA00000603	SELF-TAPPING SCREW		2				
083	671317001	PRESSING BOARD OF LOCKING		1				
084	671011005	SPRING		1				
085	671316004	LOCKING BUTTON OF MULCHING KIT		1				
086	DA00000826	SELF-DRIVING SCREW ST4*12		7				
087	671932001	SEALING STRIP		1				
088	671002365	LONG POLE		1				
089	671011203	SPRING		1				
090	671009017	OPEN BLOCK RING		2				
091	671933001	REAR COVER(MAKITA BLUE)		1				
092	671611001	CABLE CLAMP		2				
093	DA00000563	HEXAGON NUT		2				
094	DA00000564	KNOB		2				
095	671007007	FLAT WASHER M8		2				
096	DA00000562	HEXAGON FLANGE BOLT		4				

Položka	Objednávacie	Popis	I/C	ks	N/O	Možnosť 1	Možnosť 2	Poznámka
097	DA00000858	RIGHT HANDLE BRACKET(MAKITA BL		1				
098	DA00000537	HEXAGON FLANGE LOCK NUT		4				
099	DA00000839	FLAT HEAD BOLT M8X35		2				
100	DA00000859	LEFT HANDLE BRACKET(MAKITA BLU		1				
101	671090040	COLUMN PIN		2				
102	671431001	ADJUSTMENT SELF-LOCKING HANDL		2				
103	671001119	PRESSING PLATE		2				
104	671006167	HANDLE LOCKING BOLT M8X75		2				
105	671002010	SCREW M5X12		4	*			
105-1	DA00000840	TAPPING SCREW	<	4				
106	671080040	SPRING WASHER M5		4				
107	DA00000861	UPPER ADJUSTMENT GEAR		2				
108	DA00000862	LOWER ADJUSTMENT GEAR		2				
109	671080040	SPRING WASHER M5		4				
110	671002010	SCREW M5X12		4	*			
110-1	DA00000840	TAPPING SCREW	<	4				
111	671002361	CABLE FIXING RING		2				
112	671007007	FLAT WASHER M8		2				
113	671005008	HEXAGON LOCKING NUT		2				
114	671001288	DRIVING CORD ASS'Y		1				
115	671001286	FRAMEOUT CORD ASS'Y		1				
116	671017070	LOWER HANDLE POLE		1				
117	DA00000575	LID SHAPE NUT M6		1				
118	DA00000864	SPRING WASHER M6		1				
119	DA00000574	FLAT WASHER		1				
120	DA00000579	CABLE HOOK		1				
121	DA00000577	HEXAGON FLANGE BOLT		1				
122	DA00000575	LID SHAPE NUT M6		1				
123	DA00000864	SPRING WASHER M6		1				
124	DA00000574	FLAT WASHER		1				
125	671010580	THROTTLE HANDLE ASS'Y		1				
126	671006082	HEXAGON FLANGE BOLT M6X50		1				
127	DA00000575	LID SHAPE NUT M6		1				
128	DA00000574	FLAT WASHER		1				
129	DA00000573	CABLE FIXING PLATE		1				
130	DA00000575	LID SHAPE NUT M6		1				
131	DA00000574	FLAT WASHER		1				
132	DA00000826	SELF-DRIVING SCREW ST4*12		1				
133	671827001	SPEED CONTROL BOX UPPER COVER		1				
134	DA00000549	HEXAGON LOCK NUT		1				
135	671001287	VARIABLESPEED CONTROLCORD AS		1				
136	DA00000873	TAPPING SCREW ST4.2X15		1				
137	DA00000870	VARIABLE SPEED ADJUSTMENT HAN		1				
138	671002279	VARIABLE SPEED ADJUSTMENT HAN		1				
139	DA00000869	VARIABLE SPEED ADJUSTMENT HAN		1				
140	671828001	SPEED CONTROL BOX LOWER COVER		1				
141	671006082	HEXAGON FLANGE BOLT M6X50		1				
142	DA00000572	HEXAGON FLANGE BOLT		1				

Položka	Objednávacie	Popis	I/C	ks	N/O	Možnosť 1	Možnosť 2	Poznámka
143	671201401	PULLING POLE BUCKLE		1				
144	671001874	DRIVING PULLING POLE		1				
145	671006029	HEXAGON FLANGE BOLT M6X45		2				
146	671990001	POSITION FIXING SUPPORT		2				
147	671989001	PULLING POLE HANGING BOARD		2				
148	671002025	SCREW M4X8		2				
149	671007070	FLAT WASHER M6		2				
150	DA00000575	LID SHAPE NUT M6		2				
151	671001756	UPPER HANDLE POLE		1				
152	671103001	HANDLE SHEATH		1				
153	671018730	FRAMEOUT PULLING POLE		1				
154	671020130	PULLING POLE BUCKLE		1				
155	DA00000875	GRASS CATCHER BRACKET		1				
156	DA00000603	SELF-TAPPING SCREW		4				
157	671001436	PRESSING PLATE		4				
158	671153501	GRASS CATCHER(MAKITA LOGO)		1				
159	671001001	SIDEDISCHARGE PROTECTING COVER		1				
160	671992001	GRASS BOX COVER BOARD		1				
161	DA00000603	SELF-TAPPING SCREW		2				
162	671937001	GRASS BOX HANDLE		1				
163	671001075	LEVEL INDICATOR(MAKITA BLUE)		1				
164	DA00000876	GRASS CATCHER ASSEMBLY(MAKITA)		1				
A01	DA00000583	WRENCH		1				
A02	DA00000584	WRENCH POLE		1				