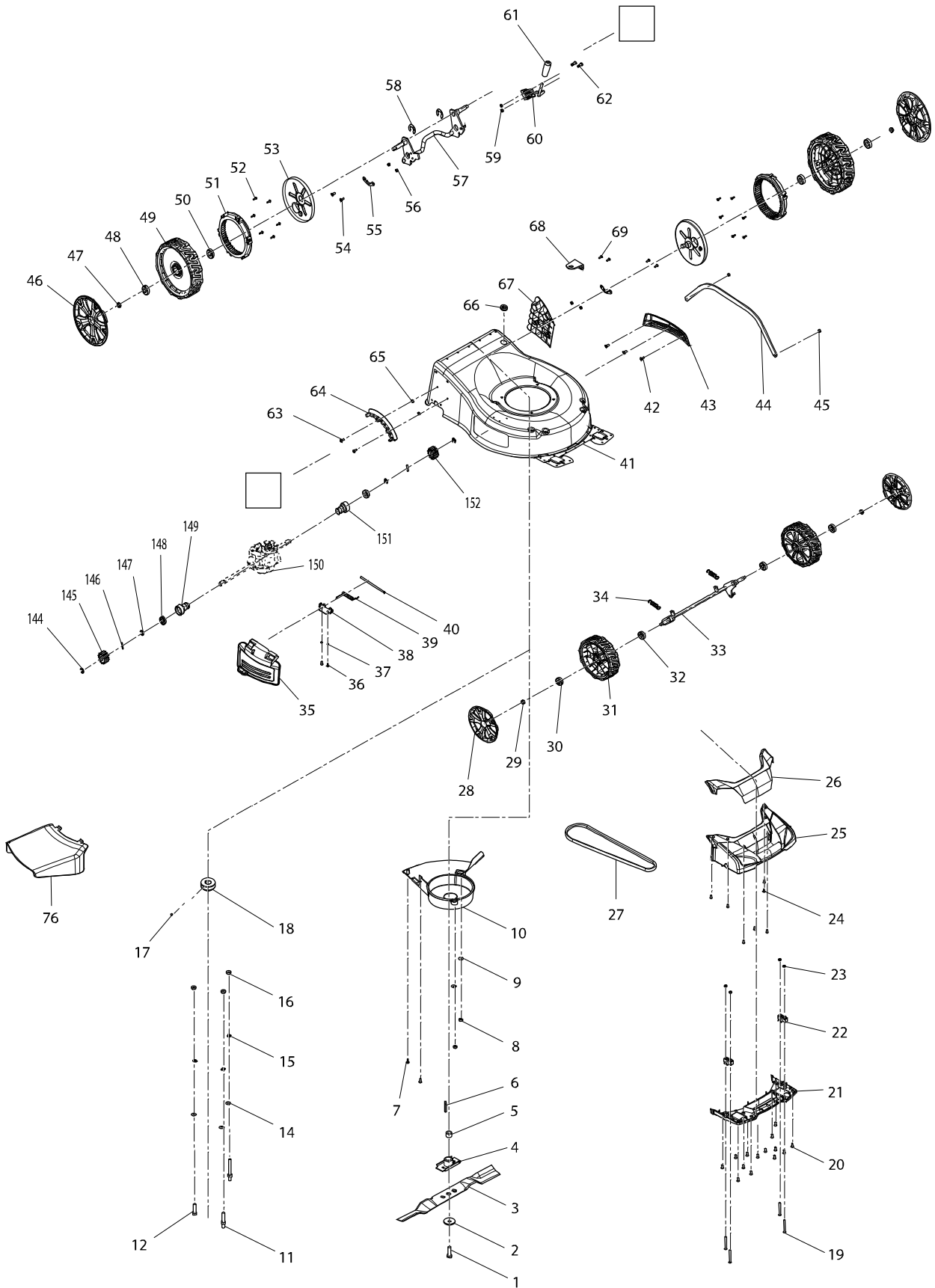
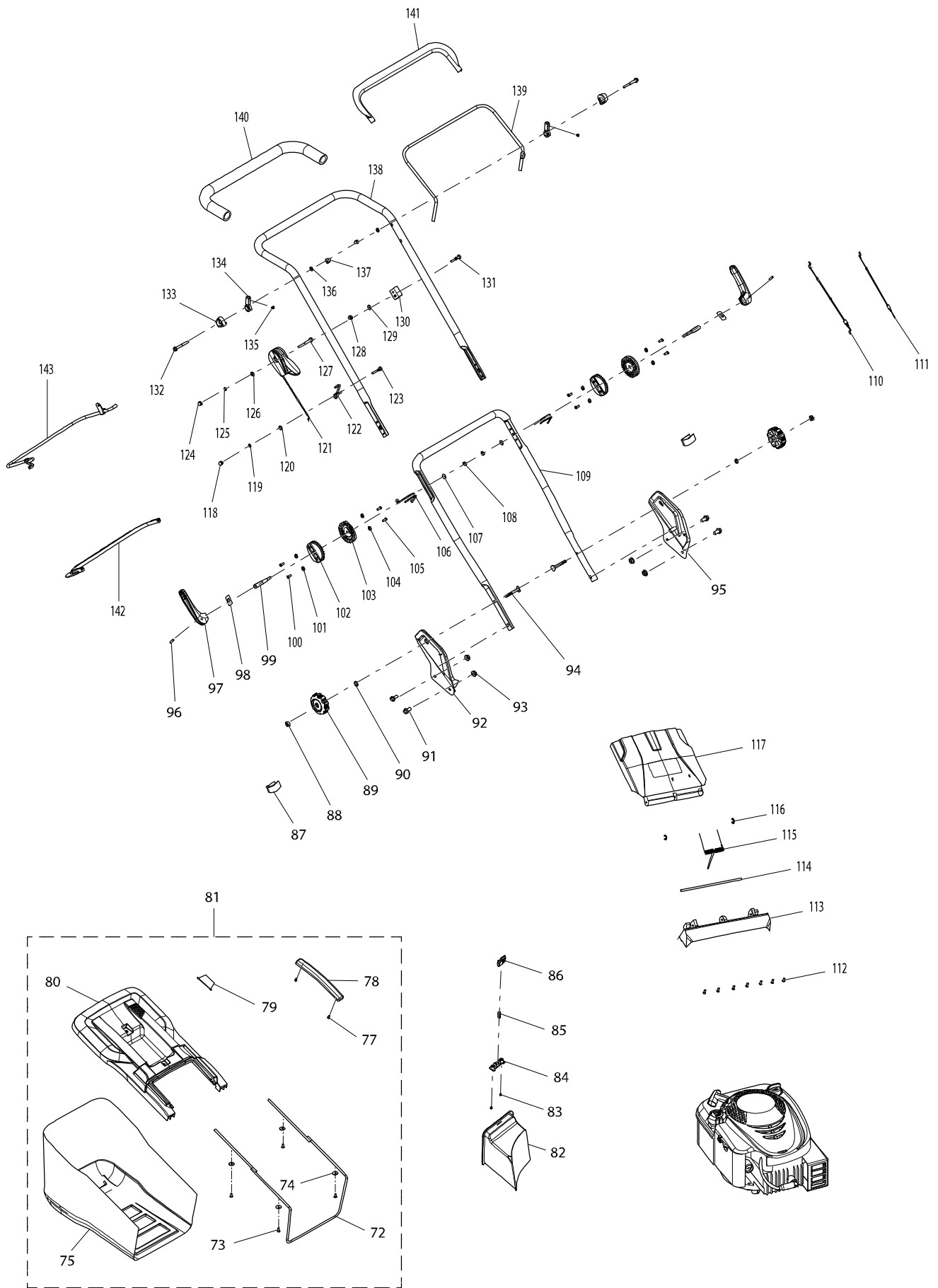


Model PLM4631N PETROL LAWN MOWER



Model PLM4631N PETROL LAWN MOWER



| Položka | Objednávacie | Popis | I/C | ks | N/O | Možnosť 1 | Možnosť 2 | Poznámka |
|---------|--------------|------------------------------|-----|----|-----|-----------|-----------|----------|
| 001 | DA00000528 | BLADE TIGHTEN BOLT | | 1 | | | | |
| 002 | 671010730 | LID SHAPE WASHER | | 1 | | | | |
| 003 | 671014610 | BLADE 460MM | | 1 | | | | |
| 004 | DA00000857 | BLADE SUPPORT | | 1 | | | | |
| 005 | 671002093 | BLADE SLEEVE | | 1 | | | | |
| 006 | DA00000535 | FLAT KEY | | 1 | | | | |
| 007 | 671001037 | SELF-TAPPING SCREW ST5X16 | | 2 | | | | |
| 008 | 671005008 | HEXAGON LOCKING NUT | | 2 | | | | |
| 009 | 671007007 | FLAT WASHER M8 | | 2 | | | | |
| 010 | 671996001 | BELT PROTECTING COVER | | 1 | | | | |
| 011 | DA00000617 | SPECIAL BOLT | | 1 | | | | |
| 012 | DA00000586 | HEXAGON BOLT | | 1 | | | | |
| 013 | 671003024 | BOLT M8X60 | | 1 | | | | |
| 014 | 671007007 | FLAT WASHER M8 | | 3 | | | | |
| 015 | DA00000832 | SPRING WASHER | | 3 | | | | |
| 016 | DA00000537 | HEXAGON FLANGE LOCK NUT | | 3 | | | | |
| 017 | DA00000598 | SCREW | | 1 | | | | |
| 018 | 671004038 | DRIVING BELT WHEEL | | 1 | | | | |
| 019 | 671006119 | HEXAGON FLANGE LOCKING BOLT | | 4 | | | | |
| 020 | DA00000826 | SELF-DRIVING SCREW ST4*12 | | 14 | | | | |
| 021 | 671927001 | FRONT COVER SUPPORT | | 1 | | | | |
| 022 | 671445001 | BRACKET PRESSING BOARD | | 2 | | | | |
| 023 | DA00000549 | HEXAGON LOCK NUT | | 4 | | | | |
| 024 | DA00000826 | SELF-DRIVING SCREW ST4*12 | | 7 | | | | |
| 025 | 671003041 | FRONT COVER | | 1 | | | | |
| 026 | 671925001 | FRONT COVER BOARD | | 1 | | | | |
| 027 | 671001273 | TRIANGLE BELT | | 1 | | | | |
| 028 | 671003014 | WHEEL COVER | | 2 | | | | |
| 029 | DA00000537 | HEXAGON FLANGE LOCK NUT | | 2 | | | | |
| 030 | DA00000538 | BEARING | | 2 | | | | |
| 031 | 671020150 | WHEEL ASSY | | 2 | | | | |
| 032 | DA00000538 | BEARING | | 2 | | | | |
| 033 | 671002362 | FRONT WHEEL AXLE ASSY | | 1 | | | | |
| 034 | 671011230 | SPRING | | 2 | | | | |
| 035 | 671929001 | SIDE DISCHARGE COVER BOARD | | 1 | | | | |
| 036 | 671002010 | SCREW M5X12 | | 2 | | | | |
| 037 | 671080040 | SPRING WASHER M5 | | 2 | | | | |
| 038 | 671001571 | FIXING BOARD | | 1 | | | | |
| 039 | 671011205 | SPRING | | 1 | | | | |
| 040 | 671001019 | POSITION FIXING AXLE OF SIDE | | 1 | | | | |
| 041 | 671001820 | DECK(MAKITA BLUE) | | 1 | | | | |
| 042 | 671010310 | TAPPING SCREW ST4.2X8 | | 3 | | | | |
| 043 | 671928001 | PROTECTING BOARD | | 1 | | | | |
| 044 | 671002364 | LINK ROD | | 1 | | | | |
| 045 | DA00000549 | HEXAGON LOCK NUT | | 2 | | | | |
| 046 | 671030150 | WHEEL COVER | | 2 | | | | |
| 047 | DA00000537 | HEXAGON FLANGE LOCK NUT | | 2 | | | | |
| 048 | DA00000538 | BEARING | | 2 | | | | |

| Položka | Objednávacie | Popis | I/C | ks | N/O | Možnosť 1 | Možnosť 2 | Poznámka |
|---------|--------------|---------------------------------|-----|----|-----|-----------|-----------|----------|
| 049 | 671020300 | WHEEL ASSY | | 2 | | | | |
| 050 | DA00000538 | BEARING | | 2 | | | | |
| 051 | DA00000849 | 8WHEEL GEAR RING | | 2 | | | | |
| 052 | DA00000603 | SELF-TAPPING SCREW | | 12 | | | | |
| 053 | DA00000606 | DUST-PROOF WHEEL COVER | | 2 | | | | |
| 054 | 671002019 | TRIGGER SCREW | | 4 | | | | |
| 055 | DA00000542 | FIXING RING FOR WHEEL AXIS | | 2 | | | | |
| 056 | DA00000543 | ALL METAL HEXAGON FLANGE LOCK | | 4 | | | | |
| 057 | 671002367 | REAR WHEEL AXLE ASS'Y | | 1 | | | | |
| 058 | DA00000612 | OPEN BLOCK RING | | 2 | | | | |
| 059 | DA00000549 | HEXAGON LOCK NUT | | 2 | | | | |
| 060 | DA00000834 | HANDLE ASS'Y | | 1 | | | | |
| 061 | 671500201 | HANDLE SHEATH | | 1 | | | | |
| 062 | 671002041 | SCREW M6X17 | | 2 | | | | |
| 063 | DA00000552 | TRIGGER SCREW | | 2 | | | | |
| 064 | DA00000789 | HEIGHT ADJUSTMENT BOARD | | 1 | | | | |
| 065 | DA00000549 | HEXAGON LOCK NUT | | 2 | | | | |
| 066 | 671800104 | CABLE PROTECTING SHEATH | | 1 | | | | |
| 067 | 671085001 | GRASS DISCHARGE BOARD | | 1 | | | | |
| 068 | 671002577 | POSITION FIXING BOARD | | 1 | | | | |
| 069 | DA00000553 | HEXAGON FLANGE BOLT | | 2 | | | | |
| 072 | DA00000843 | GRASS CATCHER BRACKET | | 1 | | | | |
| 073 | DA00000603 | SELF-TAPPING SCREW | | 4 | | | | |
| 074 | 671001436 | PRESSING PLATE | | 4 | | | | |
| 075 | 671153401 | GRASS CATCHER(MAKITA LOGO) | | 1 | | | | |
| 076 | 671930001 | SIDE DISCHARGE PROTECTING COVER | | 1 | | | | |
| 077 | DA00000603 | SELF-TAPPING SCREW | | 2 | | | | |
| 078 | 671937001 | GRASS BOX HANDLE | | 1 | | | | |
| 079 | 671001075 | LEVEL INDICATOR(MAKITA BLUE) | | 1 | | | | |
| 080 | 671992001 | GRASS BOX COVER BOARD | | 1 | | | | |
| 081 | DA00000847 | GRASS CATCHER ASSEMBLY(MAKITA) | | 1 | | | | |
| 082 | DA00000844 | MULCHING KIT | | 1 | | | | |
| 083 | DA00000603 | SELF-TAPPING SCREW | | 2 | | | | |
| 084 | 671317001 | PRESSING BOARD OF LOCKING | | 1 | | | | |
| 085 | 671011005 | SPRING | | 1 | | | | |
| 086 | 671316004 | LOCKING BUTTON OF MULCHING KIT | | 1 | | | | |
| 087 | 671611001 | CABLE CLAMP | | 2 | | | | |
| 088 | DA00000563 | HEXAGON NUT | | 2 | | | | |
| 089 | DA00000564 | KNOB | | 2 | | | | |
| 090 | 671007007 | FLAT WASHER M8 | | 2 | | | | |
| 091 | DA00000562 | HEXAGON FLANGE BOLT | | 4 | | | | |
| 092 | DA00000858 | RIGHT HANDLE BRACKET(MAKITA BLU | | 1 | | | | |
| 093 | DA00000537 | HEXAGON FLANGE LOCK NUT | | 4 | | | | |
| 094 | DA00000839 | FLAT HEAD BOLT M8X35 | | 2 | | | | |
| 095 | DA00000859 | LEFT HANDLE BRACKET(MAKITA BLU | | 1 | | | | |
| 096 | 671090040 | COLUMN PIN | | 2 | | | | |
| 097 | 671431001 | ADJUSTMENT SELF-LOCKING HANDL | | 2 | | | | |
| 098 | 671001119 | PRESSING PLATE | | 2 | | | | |

| Položka | Objednávacie | Popis | I/C | ks | N/O | Možnosť 1 | Možnosť 2 | Poznámka |
|---------|--------------|----------------------------|-----|----|-----|-----------|-----------|----------|
| 099 | 671006167 | HANDLE LOCKING BOLT M8X75 | | 2 | | | | |
| 100 | 671002010 | SCREW M5X12 | | 4 | * | | | |
| 100-1 | DA00000840 | TAPPING SCREW | < | 4 | | | | |
| 101 | 671080040 | SPRING WASHER M5 | | 4 | | | | |
| 102 | DA00000861 | UPPER ADJUSTMENT GEAR | | 2 | | | | |
| 103 | DA00000862 | LOWER ADJUSTMENT GEAR | | 2 | | | | |
| 104 | 671080040 | SPRING WASHER M5 | | 4 | | | | |
| 105 | 671002010 | SCREW M5X12 | | 4 | * | | | |
| 105-1 | DA00000840 | TAPPING SCREW | < | 4 | | | | |
| 106 | 671002361 | CABLE FIXING RING | | 2 | | | | |
| 107 | 671007007 | FLAT WASHER M8 | | 2 | | | | |
| 108 | 671005008 | HEXAGON LOCKING NUT | | 2 | | | | |
| 109 | 671017070 | LOWER HANDLE POLE | | 1 | | | | |
| 110 | 671001293 | DRIVING CORD ASS'Y | | 1 | | | | |
| 111 | 671001292 | FRAMEOUT CORD ASS'Y | | 1 | | | | |
| 112 | DA00000826 | SELF-DRIVING SCREW ST4*12 | | 7 | | | | |
| 113 | 671932001 | SEALING STRIP | | 1 | | | | |
| 114 | 671002365 | LONG POLE | | 1 | | | | |
| 115 | 671011203 | SPRING | | 1 | | | | |
| 116 | 671009017 | OPEN BLOCK RING | | 2 | | | | |
| 117 | 671933001 | REAR COVER(MAKITA BLUE) | | 1 | | | | |
| 118 | DA00000575 | LID SHAPE NUT M6 | | 1 | | | | |
| 119 | DA00000864 | SPRING WASHER M6 | | 1 | | | | |
| 120 | DA00000574 | FLAT WASHER | | 1 | | | | |
| 121 | 671106202 | THROTTLE HANDLE ASS'Y | | 1 | | | | |
| 122 | DA00000579 | CABLE HOOK | | 1 | | | | |
| 123 | DA00000577 | HEXAGON FLANGE BOLT | | 1 | | | | |
| 124 | DA00000575 | LID SHAPE NUT M6 | | 1 | | | | |
| 125 | DA00000864 | SPRING WASHER M6 | | 1 | | | | |
| 126 | DA00000574 | FLAT WASHER | | 1 | | | | |
| 127 | 671006082 | HEXAGON FLANGE BOLT M6X50 | | 1 | | | | |
| 128 | DA00000575 | LID SHAPE NUT M6 | | 1 | | | | |
| 129 | DA00000574 | FLAT WASHER | | 1 | | | | |
| 130 | DA00000573 | CABLE FIXING PLATE | | 1 | | | | |
| 131 | DA00000577 | HEXAGON FLANGE BOLT | | 1 | | | | |
| 132 | 671006029 | HEXAGON FLANGE BOLT M6X45 | | 2 | | | | |
| 133 | 671990001 | POSITION FIXING SUPPORT | | 2 | | | | |
| 134 | 671989001 | PULLING POLE HANGING BOARD | | 2 | | | | |
| 135 | 671002025 | SCREW M4X8 | | 2 | | | | |
| 136 | 671007070 | FLAT WASHER M6 | | 2 | | | | |
| 137 | DA00000575 | LID SHAPE NUT M6 | | 2 | | | | |
| 138 | 671001778 | UPPER HANDLE POLE | | 1 | | | | |
| 139 | 671018730 | FRAMEOUT PULLING POLE | | 1 | | | | |
| 140 | 671103001 | HANDLE SHEATH | | 1 | | | | |
| 141 | 671020130 | PULLING POLE BUCKLE | | 1 | | | | |
| 142 | 671201401 | PULLING POLE BUCKLE | | 1 | | | | |
| 143 | 671001874 | DRIVING PULLING POLE | | 1 | | | | |
| 144 | DA00000604 | OPEN BLOCK RING | | 2 | | | | |

