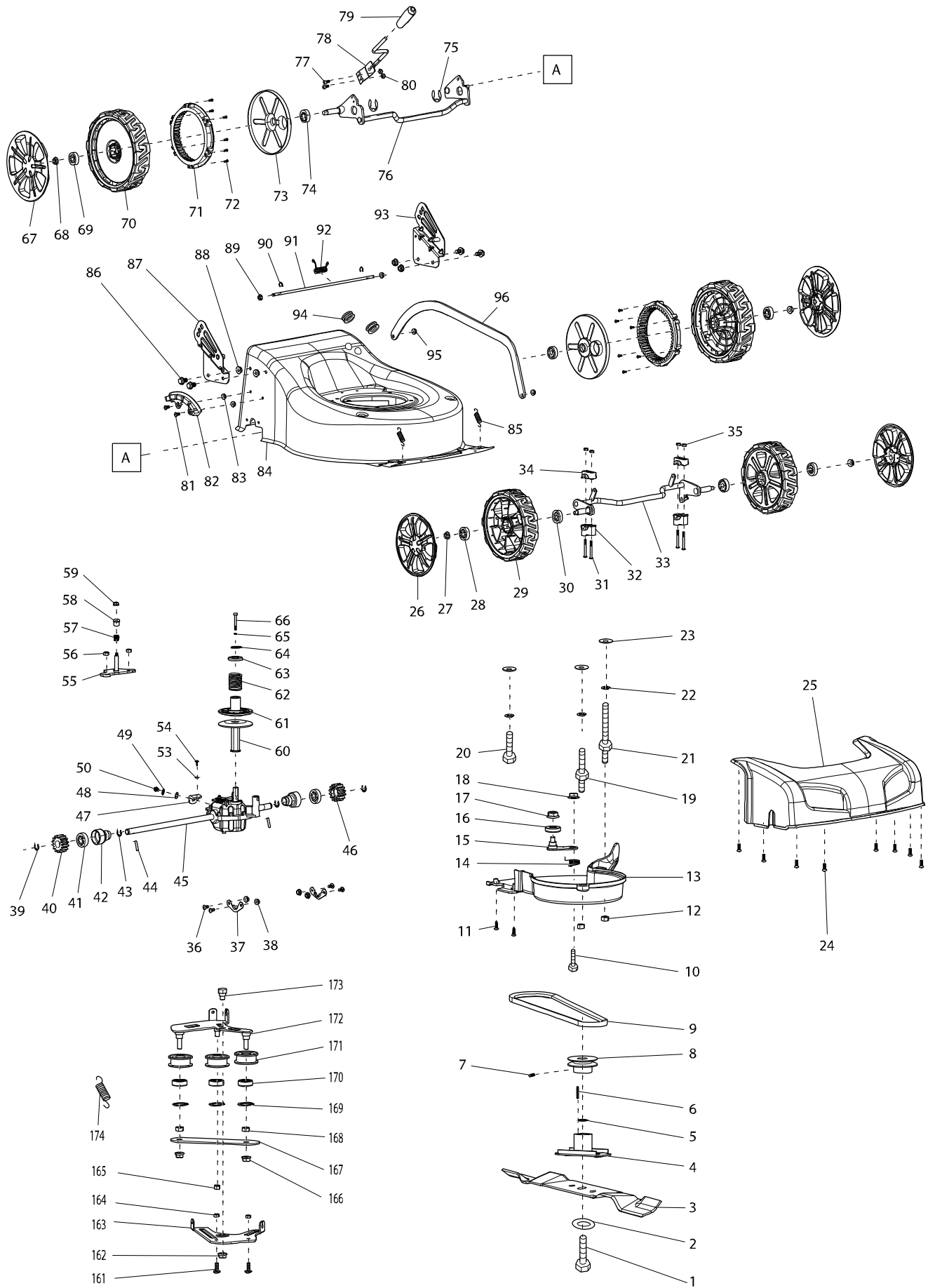
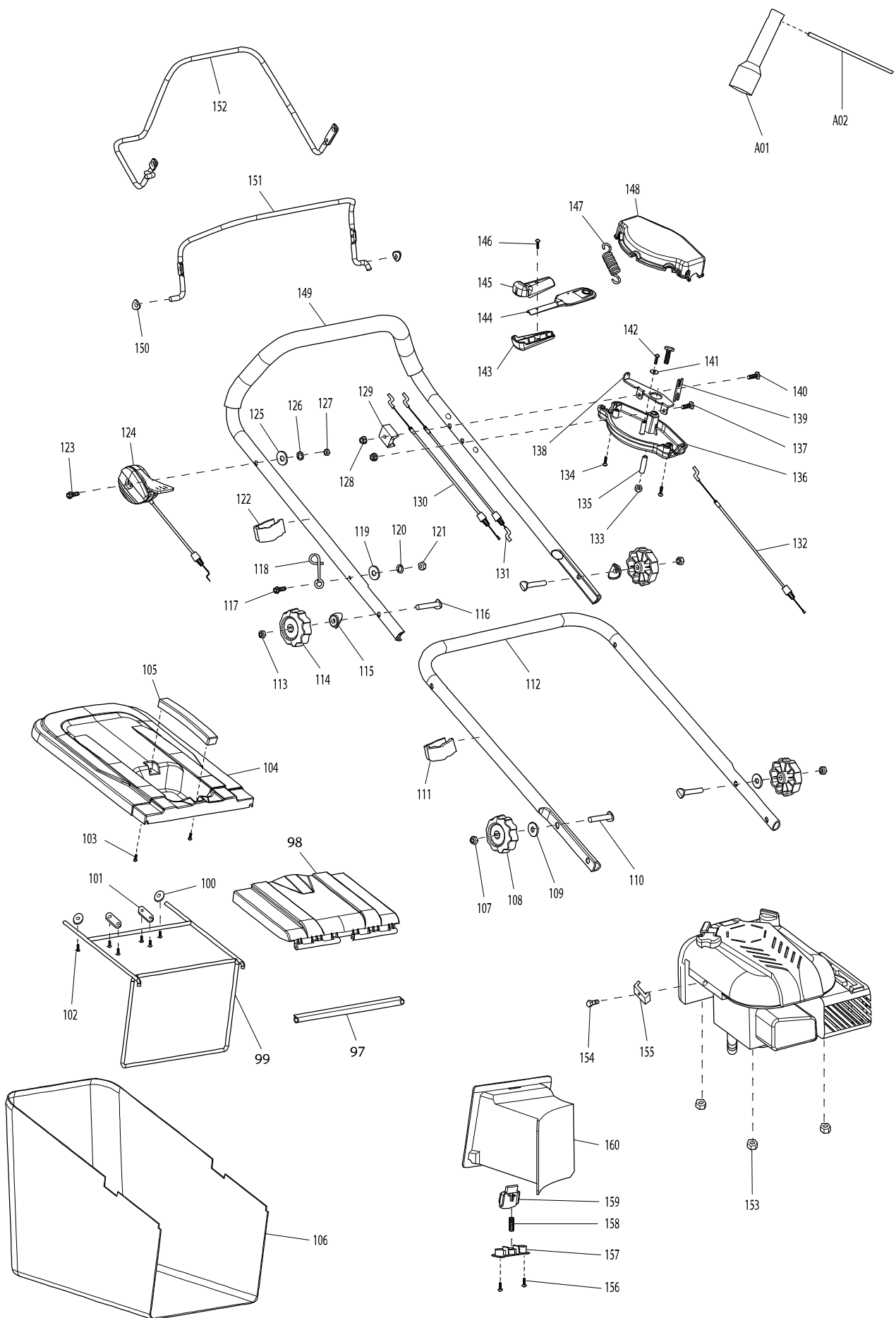


Model PLM4622N PETROL LAWN MOWER



Model PLM4622N PETROL LAWN MOWER



Položka	Objednávacie	Popis	I/C	ks	N/O	Možnosť 1	Možnosť 2	Poznámka
001	671006065	"BLADE TIGHTEN BOLT 3/8""24"		1				
002	671010730	LID SHAPE WASHER		1				
003	671001451	BLADE 460MM		1				
004	671015252	BLADE SUPPORT		1				
005	DA00000979	BLADE SUPPORT LINING		1				
006	DA00000535	FLAT KEY		1				
007	DA00000598	SCREW		1				
008	671401201	ACTIVE PULLEY		1				
009	671020282	TRIANGLE BELT		1				
010	671006066	SCREW M6*25		1				
011	671001037	SELF-TAPPING SCREW ST5X16		2				
012	671005008	HEXAGON LOCKING NUT		2				
013	671658001	PROTECTIVE COVER		1				
014	671011136	SPRING		1				
015	DA00000974	FIXED PLATE OF GUIDING WHEEL		1				
016	671004015	BEARING 6001RS		1				
017	DA00000537	HEXAGON FLANGE LOCK NUT		1				
018	DA00000543	ALL METAL HEXAGON FLANGE LOCK		1				
019	DA00000617	SPECIAL BOLT		1				
020	DA00000586	HEXAGON BOLT		1				
021	671003024	BOLT M8X60		1				
022	DA00000832	SPRING WASHER		3				
023	671007007	FLAT WASHER M8		3				
024	DA00000911	SELF-TAPPING SCREW ST4.2*10		8				
025	671659001	FRONT DECORATIVE COVER		1				
026	671001176	"7"" WHEEL COVER"		2				
027	DA00000537	HEXAGON FLANGE LOCK NUT		2				
028	DA00000538	BEARING		2				
029	671020150	WHEEL ASSY		2				
030	DA00000538	BEARING		2				
031	671002028	TRIGGER BOLT M6*45		4				
032	671418001	FIXED BRACKET		2				
033	671001786	FRONT WHEEL AXIS ASSEY		1				
034	671445001	BRACKET PRESSING BOARD		2				
035	DA00000549	HEXAGON LOCK NUT		4				
036	671002019	TRIGGER SCREW		4				
037	DA00000542	FIXING RING FOR WHEEL AXIS		2				
038	DA00000543	ALL METAL HEXAGON FLANGE LOCK		4				
039	DA00000604	OPEN BLOCK RING		2				
040	DA00000607	RIGHT OUTPUT GEAR ASS'Y		1				
041	DA00000609	BEARING		2				
042	DA00000610	BEARING SHEATH		2				
043	DA00000604	OPEN BLOCK RING		2				
044	DA00000597	COLUMN PIN		2				
045	671502017	GEAR BOX		1				
046	DA00000605	LEFT OUTPUT GEAR ASS'Y		1				
047	DA00000915	FIXED BOARD 2		1				
048	671007007	FLAT WASHER M8		1				

Položka	Objednávacie	Popis	I/C	ks	N/O	Možnosť 1	Možnosť 2	Poznámka
049	DA00000832	SPRING WASHER		1				
050	DA00000562	HEXAGON FLANGE BOLT		1				
053	DA00000864	SPRING WASHER M6		1				
054	671002019	TRIGGER SCREW		1				
055	671001717	FIXED PLATE		1				
056	671005011	HEXAGON LOCKING NUT M5		2				
057	671011156	SPRING		1				
058	671002038	SHAFT SHEATH		1				
059	DA00000543	ALL METAL HEXAGON FLANGE LOCK		1				
060	671001082	DRIVEN AXIS WITH LOWER DRIVEN		1				
061	671010540	UPPER DRIVEN WHEEL		1				
062	671011122	SPRING		1				
063	671001457	PRESSING PLATE		1				
064	671009020	WIRE BLOCK RING		1				
065	671080040	SPRING WASHER M5		1				
066	671006123	BOLT M5*55		1				
067	DA00000536	WHEEL COVER		2				
068	DA00000537	HEXAGON FLANGE LOCK NUT		2				
069	DA00000538	BEARING		2				
070	671020300	WHEEL ASSY		2				
071	DA00000849	8WHEEL GEAR RING		2				
072	DA00000603	SELF-TAPPING SCREW		12				
073	DA00000606	DUST-PROOF WHEEL COVER		2				
074	DA00000538	BEARING		2				
075	DA00000612	OPEN BLOCK RING		2				
076	671144602	REAR WHEEL AXIS ASSEY		1				
077	DA00000912	TRIGGER BOLT M5*14		2				
078	671001430	HANDLE ASS'Y		1				
079	671102602	HANDLE SHEATH		1				
080	671005011	HEXAGON LOCKING NUT M5		2				
081	671002019	TRIGGER SCREW		2				
082	DA00000787	HEIGHT ADJUSTMENT PLATE		1				
083	DA00000543	ALL METAL HEXAGON FLANGE LOCK		2				
084	671001529	DECK(MAKITA BLUE)		1				
085	671011125	EXTENSION SPRING OF FRONT WHE		2				
086	DA00000562	HEXAGON FLANGE BOLT		4				
087	671001180	RIGHT BRACKET OF HANDLE		1				
088	DA00000537	HEXAGON FLANGE LOCK NUT		4				
089	DA00000543	ALL METAL HEXAGON FLANGE LOCK		2				
090	671009017	OPEN BLOCK RING		2				
091	671001518	LONG POLE		1				
092	671011101	SPRING		1				
093	671001179	LEFT HANDLE BRACKET		1				
094	671800104	CABLE PROTECTING SHEATH		2				
095	DA00000549	HEXAGON LOCK NUT		2				
096	671002671	LINK ROD		1				
097	671001353	PRESSING BAR		1				
098	671468001	REAR COVER BOARD		1				

Položka	Objednávacie	Popis	I/C	ks	N/O	Možnosť 1	Možnosť 2	Poznámka
099	671001443	GRASS CATCHER BRACKET		1				
100	671001436	PRESSING PLATE		2				
101	671001203	PRESSING PLATE		2				
102	DA00000888	SELF-TAPPING SCREW ST5*12		6				
103	671105502	SELF-TAPPING SCREW ST5*16		2				
104	671467001	GRASS CATCHER COVER		1				
105	671454001	GRASS CATCHER HANDLE		1				
106	671001418	GRASS CATCHER		1				
107	DA00000563	HEXAGON NUT		2				
108	DA00000564	KNOB		2				
109	671007007	FLAT WASHER M8		2				
110	DA00000880	FLAT HEAD BOLT M8*35		2				
111	671611001	CABLE CLAMP		1				
112	671001606	LOWER HANDLE POLE		1				
113	DA00000563	HEXAGON NUT		2				
114	DA00000564	KNOB		2				
115	DA00000565	CURVED WASHER		2				
116	DA00000569	FLAT HEAD BOLT		2				
117	DA00000577	HEXAGON FLANGE BOLT		1				
118	DA00000579	CABLE HOOK		1				
119	DA00000574	FLAT WASHER		1				
120	DA00000864	SPRING WASHER M6		1				
121	DA00000575	LID SHAPE NUT M6		1				
122	671611001	CABLE CLAMP		1				
123	671006082	HEXAGON FLANGE BOLT M6X50		1				
124	671001137	THROTTLE HANDLE ASSEY		1				
125	DA00000574	FLAT WASHER		1				
126	DA00000864	SPRING WASHER M6		1				
127	DA00000575	LID SHAPE NUT M6		1				
128	DA00000543	ALL METAL HEXAGON FLANGE LOCK		2				
129	DA00000573	CABLE FIXING PLATE		1				
130	DA00000977	DRIVING CORD ASS'Y		1				
131	671001113	FRAMEOUT CORD ASSY		1				
132	671011162	SPEED ADJUSTMENT CORD ASSY		1				
133	DA00000543	ALL METAL HEXAGON FLANGE LOCK		1				
134	671010630	TAPPING SCREW ST4.2*25		2				
135	671001513	SHEATH		1				
136	671470001	SPEED ADJUSTMENT BOX(LOWER)		1				
137	DA00000577	HEXAGON FLANGE BOLT		1				
138	671001514	SPEED ADJUSTMENT BOX FIXED PLA		1				
139	671001511	FIXED PLATE		1				
140	671006063	HEXAGON BOLT M6*40		2				
141	671002075	BEARING PRESSING PLATE		1				
142	DA00000603	SELF-TAPPING SCREW		1				
143	DA00000870	VARIABLE SPEED ADJUSTMENT HANI		1				
144	DA00000972	SPEED ADJUSTMENT BOX POLE		1				
145	DA00000869	VARIABLE SPEED ADJUSTMENT HANI		1				
146	DA00000873	TAPPING SCREW ST4.2X15		1				

Položka	Objednávacie	Popis	I/C	ks	N/O	Možnosť 1	Možnosť 2	Poznámka
147	671011123	EXTENTION SPRING		1				
148	671470002	SPEED ADJUSTMENT BOX(UPPER)		1				
149	671002002	UPPER HANDLE ASSY		1				
150	671001524	PRESSING PLATE		2				
151	DA00000961	FRAMEOUT POLE		1				
152	DA00000964	DRIVING POLE		1				
153	DA00000537	HEXAGON FLANGE LOCK NUT		3				
154	671003012	SCREW M5*14		1				
155	671010830	PULLING CORD PRESSING PLATE		1				
156	DA00000603	SELF-TAPPING SCREW		2				
157	671317001	PRESSING BOARD OF LOCKING		1				
158	671011005	SPRING		1				
159	671316004	LOCKING BUTTON OF MULCHING KIT		1				
160	671660001	MULCHING KIT		1				
161	671002019	TRIGGER SCREW		2				
162	DA00000537	HEXAGON FLANGE LOCK NUT		1				
163	DA00000971	FIXING BOARD		1				
164	DA00000549	HEXAGON LOCK NUT		2				
165	671005008	HEXAGON LOCKING NUT		1				
166	DA00000537	HEXAGON FLANGE LOCK NUT		2				
167	671001533	PRESSING PLATE		1				
168	DA00000563	HEXAGON NUT		2				
169	671009021	WIRE BLOCK RING		3				
170	671004015	BEARING 6001RS		3				
171	671001056	SPEED ADJUSTMENT WHEEL		3				
172	671001455	FIXED BOARD		1				
173	671003042	BOLT		1				
174	671011021	SPRING		1				
A01	671001078	SPANNER 21		1				
A02	DA00000584	WRENCH POLE		1				