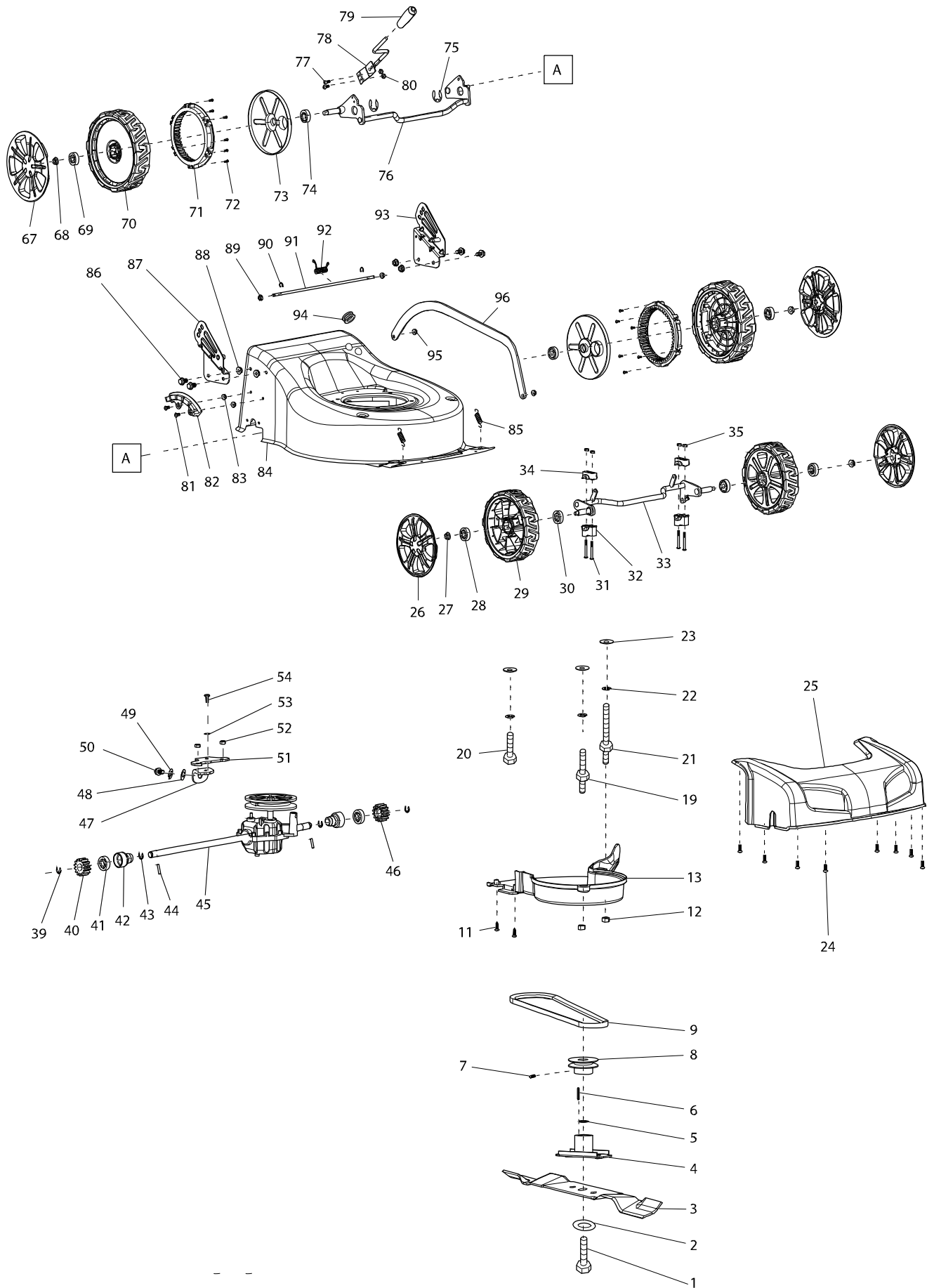
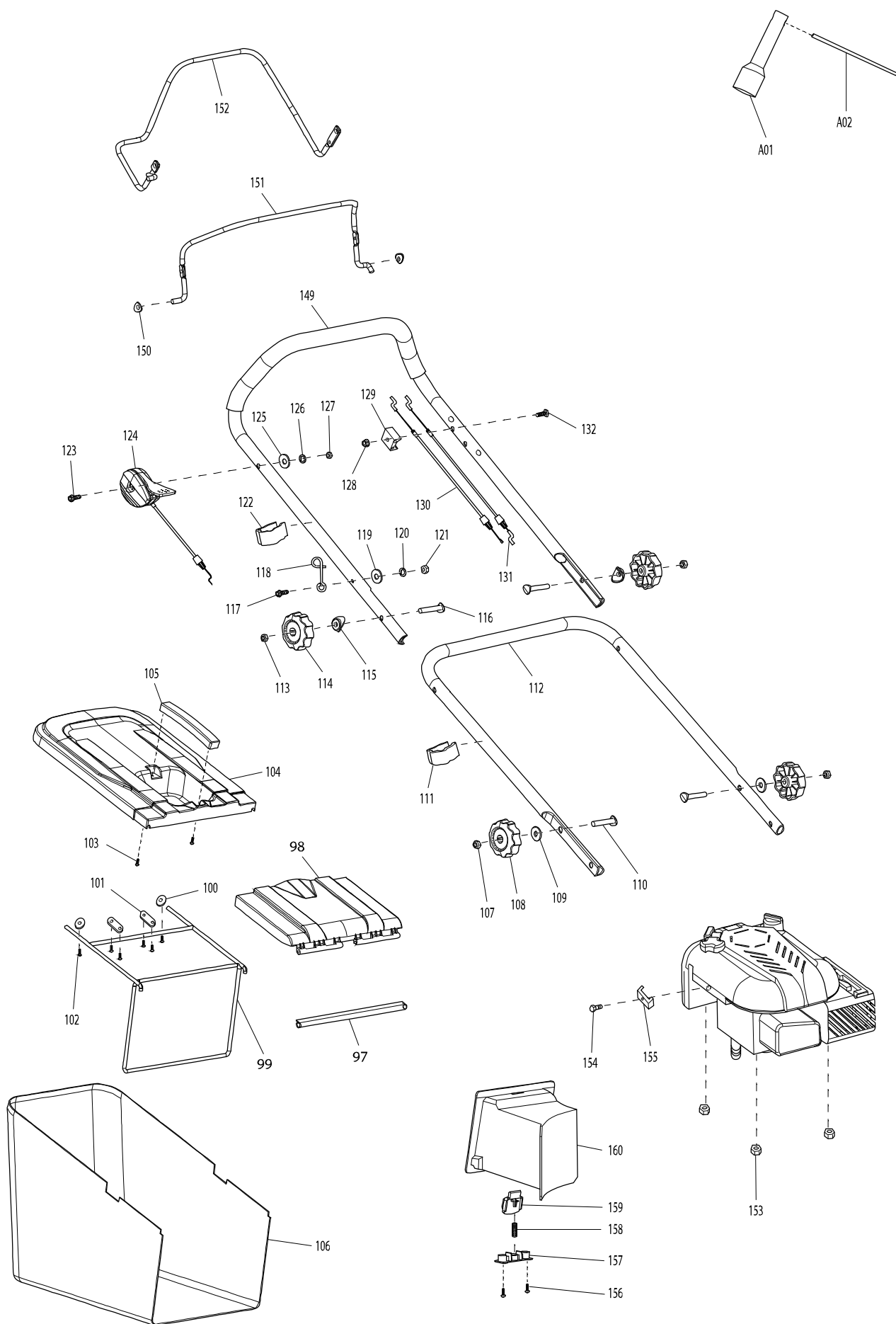


Model PLM4621N PETROL LAWN MOWER



Model PLM4621N PETROL LAWN MOWER



| Položka | Objednávacie | Popis | I/C | ks | N/O | Možnosť 1 | Možnosť 2 | Poznámka |
|---------|--------------|-------------------------------|-----|----|-----|-----------|-----------|----------|
| 001 | 671006065 | "BLADE TIGHTEN BOLT 3/8""24" | | 1 | | | | |
| 002 | 671010730 | LID SHAPE WASHER | | 1 | | | | |
| 003 | 671001451 | BLADE 460MM | | 1 | | | | |
| 004 | 671015252 | BLADE SUPPORT | | 1 | | | | |
| 005 | DA00000979 | BLADE SUPPORT LINING | | 1 | | | | |
| 006 | DA00000535 | FLAT KEY | | 1 | | | | |
| 007 | DA00000598 | SCREW | | 1 | | | | |
| 008 | 671004002 | DRIVING WHEEL | | 1 | | | | |
| 009 | 671002043 | V-BELT | | 1 | | | | |
| 011 | 671001037 | SELF-TAPPING SCREW ST5X16 | | 2 | | | | |
| 012 | 671005008 | HEXAGON LOCKING NUT | | 2 | | | | |
| 013 | 671658001 | PROTECTIVE COVER | | 1 | | | | |
| 019 | DA00000617 | SPECIAL BOLT | | 1 | | | | |
| 020 | DA00000586 | HEXAGON BOLT | | 1 | | | | |
| 021 | 671003024 | BOLT M8X60 | | 1 | | | | |
| 022 | DA00000832 | SPRING WASHER | | 3 | | | | |
| 023 | 671007007 | FLAT WASHER M8 | | 3 | | | | |
| 024 | DA00000911 | SELF-TAPPING SCREW ST4.2*10 | | 8 | | | | |
| 025 | 671659001 | FRONT DECORATIVE COVER | | 1 | | | | |
| 026 | 671001176 | "7"" WHEEL COVER" | | 2 | | | | |
| 027 | DA00000537 | HEXAGON FLANGE LOCK NUT | | 2 | | | | |
| 028 | DA00000538 | BEARING | | 2 | | | | |
| 029 | 671020150 | WHEEL ASSY | | 2 | | | | |
| 030 | DA00000538 | BEARING | | 2 | | | | |
| 031 | 671002028 | TRIGGER BOLT M6*45 | | 4 | | | | |
| 032 | 671418001 | FIXED BRACKET | | 2 | | | | |
| 033 | 671001786 | FRONT WHEEL AXIS ASSEY | | 1 | | | | |
| 034 | 671445001 | BRACKET PRESSING BOARD | | 2 | | | | |
| 035 | DA00000549 | HEXAGON LOCK NUT | | 4 | | | | |
| 036 | 671002019 | TRIGGER SCREW | | 4 | | | | |
| 037 | DA00000542 | FIXING RING FOR WHEEL AXIS | | 2 | | | | |
| 038 | DA00000543 | ALL METAL HEXAGON FLANGE LOCK | | 4 | | | | |
| 039 | DA00000604 | OPEN BLOCK RING | | 2 | | | | |
| 040 | DA00000607 | RIGHT OUTPUT GEAR ASS'Y | | 1 | | | | |
| 041 | DA00000609 | BEARING | | 2 | | | | |
| 042 | DA00000610 | BEARING SHEATH | | 2 | | | | |
| 043 | DA00000604 | OPEN BLOCK RING | | 2 | | | | |
| 044 | DA00000597 | COLUMN PIN | | 2 | | | | |
| 045 | 671502016 | GEAR BOX | | 1 | | | | |
| 046 | DA00000605 | LEFT OUTPUT GEAR ASS'Y | | 1 | | | | |
| 047 | DA00000915 | FIXED BOARD 2 | | 1 | | | | |
| 048 | 671007007 | FLAT WASHER M8 | | 1 | | | | |
| 049 | DA00000832 | SPRING WASHER | | 1 | | | | |
| 050 | DA00000562 | HEXAGON FLANGE BOLT | | 1 | | | | |
| 051 | 671001460 | GEAR BOX FIXING BOARD | | 1 | | | | |
| 052 | 671005011 | HEXAGON LOCKING NUT M5 | | 2 | | | | |
| 053 | DA00000864 | SPRING WASHER M6 | | 1 | | | | |
| 054 | 671002019 | TRIGGER SCREW | | 1 | | | | |

| Položka | Objednávacie | Popis | I/C | ks | N/O | Možnosť 1 | Možnosť 2 | Poznámka |
|---------|--------------|-------------------------------|-----|----|-----|-----------|-----------|----------|
| 067 | DA00000536 | WHEEL COVER | | 2 | | | | |
| 068 | DA00000537 | HEXAGON FLANGE LOCK NUT | | 2 | | | | |
| 069 | DA00000538 | BEARING | | 2 | | | | |
| 070 | 671020300 | WHEEL ASSY | | 2 | | | | |
| 071 | DA00000849 | 8WHEEL GEAR RING | | 2 | | | | |
| 072 | DA00000603 | SELF-TAPPING SCREW | | 12 | | | | |
| 073 | DA00000606 | DUST-PROOF WHEEL COVER | | 2 | | | | |
| 074 | DA00000538 | BEARING | | 2 | | | | |
| 075 | DA00000612 | OPEN BLOCK RING | | 2 | | | | |
| 076 | 671144602 | REAR WHEEL AXIS ASSEY | | 1 | | | | |
| 077 | DA00000912 | TRIGGER BOLT M5*14 | | 2 | | | | |
| 078 | 671001430 | HANDLE ASS'Y | | 1 | | | | |
| 079 | 671102602 | HANDLE SHEATH | | 1 | | | | |
| 080 | 671005011 | HEXAGON LOCKING NUT M5 | | 2 | | | | |
| 081 | 671002019 | TRIGGER SCREW | | 2 | | | | |
| 082 | DA00000787 | HEIGHT ADJUSTMENT PLATE | | 1 | | | | |
| 083 | DA00000543 | ALL METAL HEXAGON FLANGE LOCK | | 2 | | | | |
| 084 | 671001517 | DECK(MAKITA BLUE) | | 1 | | | | |
| 085 | 671011125 | EXTENSION SPRING OF FRONT WHE | | 2 | | | | |
| 086 | DA00000562 | HEXAGON FLANGE BOLT | | 4 | | | | |
| 087 | 671001180 | RIGHT BRACKET OF HANDLE | | 1 | | | | |
| 088 | DA00000537 | HEXAGON FLANGE LOCK NUT | | 4 | | | | |
| 089 | DA00000543 | ALL METAL HEXAGON FLANGE LOCK | | 2 | | | | |
| 090 | 671009017 | OPEN BLOCK RING | | 2 | | | | |
| 091 | 671001518 | LONG POLE | | 1 | | | | |
| 092 | 671011101 | SPRING | | 1 | | | | |
| 093 | 671001179 | LEFT HANDLE BRACKET | | 1 | | | | |
| 094 | 671800104 | CABLE PROTECTING SHEATH | | 1 | | | | |
| 095 | DA00000549 | HEXAGON LOCK NUT | | 2 | | | | |
| 096 | 671002671 | LINK ROD | | 1 | | | | |
| 097 | 671001353 | PRESSING BAR | | 1 | | | | |
| 098 | 671468001 | REAR COVER BOARD | | 1 | | | | |
| 099 | 671001443 | GRASS CATCHER BRACKET | | 1 | | | | |
| 100 | 671001436 | PRESSING PLATE | | 2 | | | | |
| 101 | 671001203 | PRESSING PLATE | | 2 | | | | |
| 102 | DA00000888 | SELF-TAPPING SCREW ST5*12 | | 6 | | | | |
| 103 | 671105502 | SELF-TAPPING SCREW ST5*16 | | 2 | | | | |
| 104 | 671467001 | GRASS CATCHER COVER | | 1 | | | | |
| 105 | 671454001 | GRASS CATCHER HANDLE | | 1 | | | | |
| 106 | 671001418 | GRASS CATCHER | | 1 | | | | |
| 107 | DA00000563 | HEXAGON NUT | | 2 | | | | |
| 108 | DA00000564 | KNOB | | 2 | | | | |
| 109 | 671007007 | FLAT WASHER M8 | | 2 | | | | |
| 110 | DA00000880 | FLAT HEAD BOLT M8*35 | | 2 | | | | |
| 111 | 671611001 | CABLE CLAMP | | 1 | | | | |
| 112 | 671001606 | LOWER HANDLE POLE | | 1 | | | | |
| 113 | DA00000563 | HEXAGON NUT | | 2 | | | | |
| 114 | DA00000564 | KNOB | | 2 | | | | |

