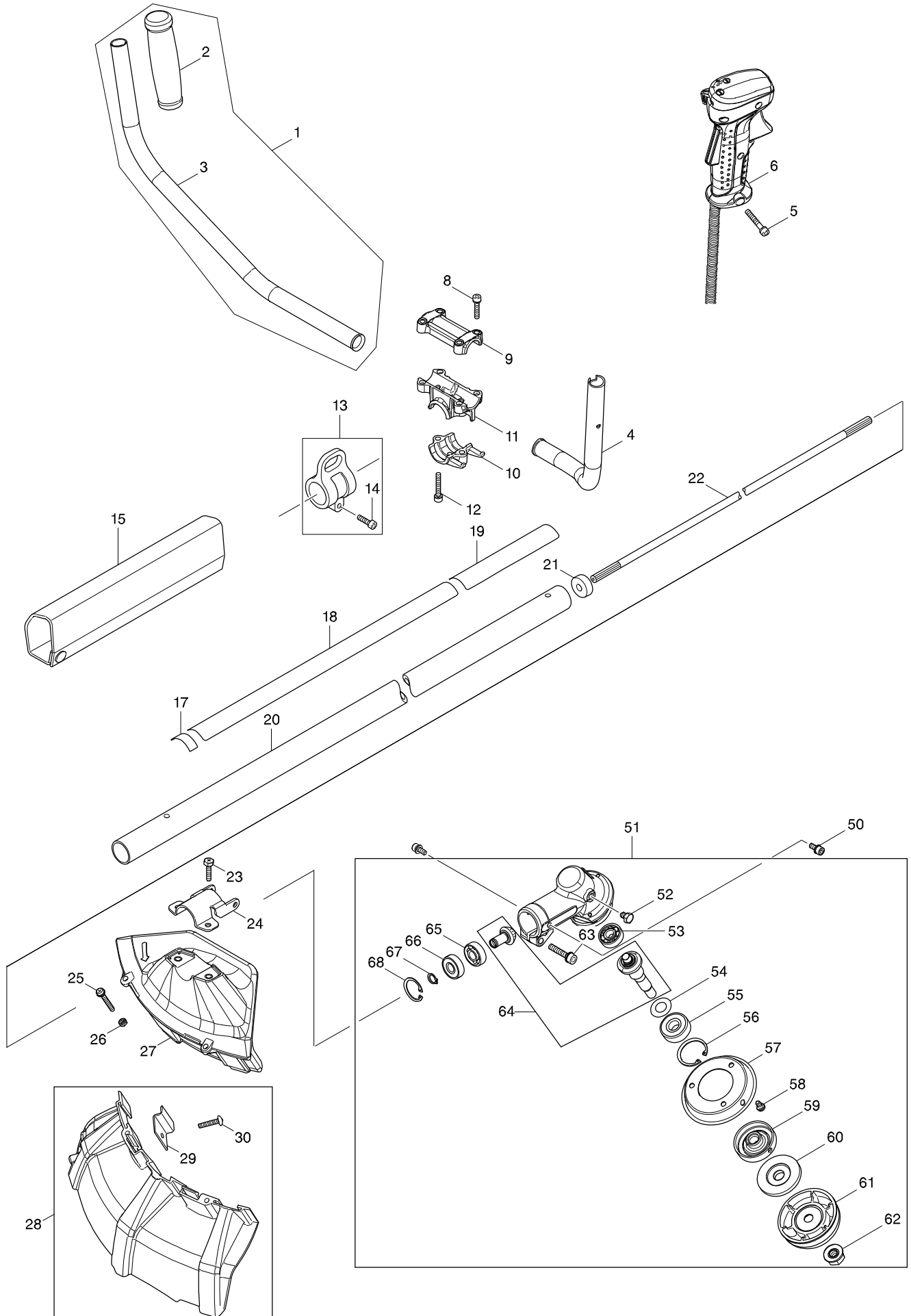
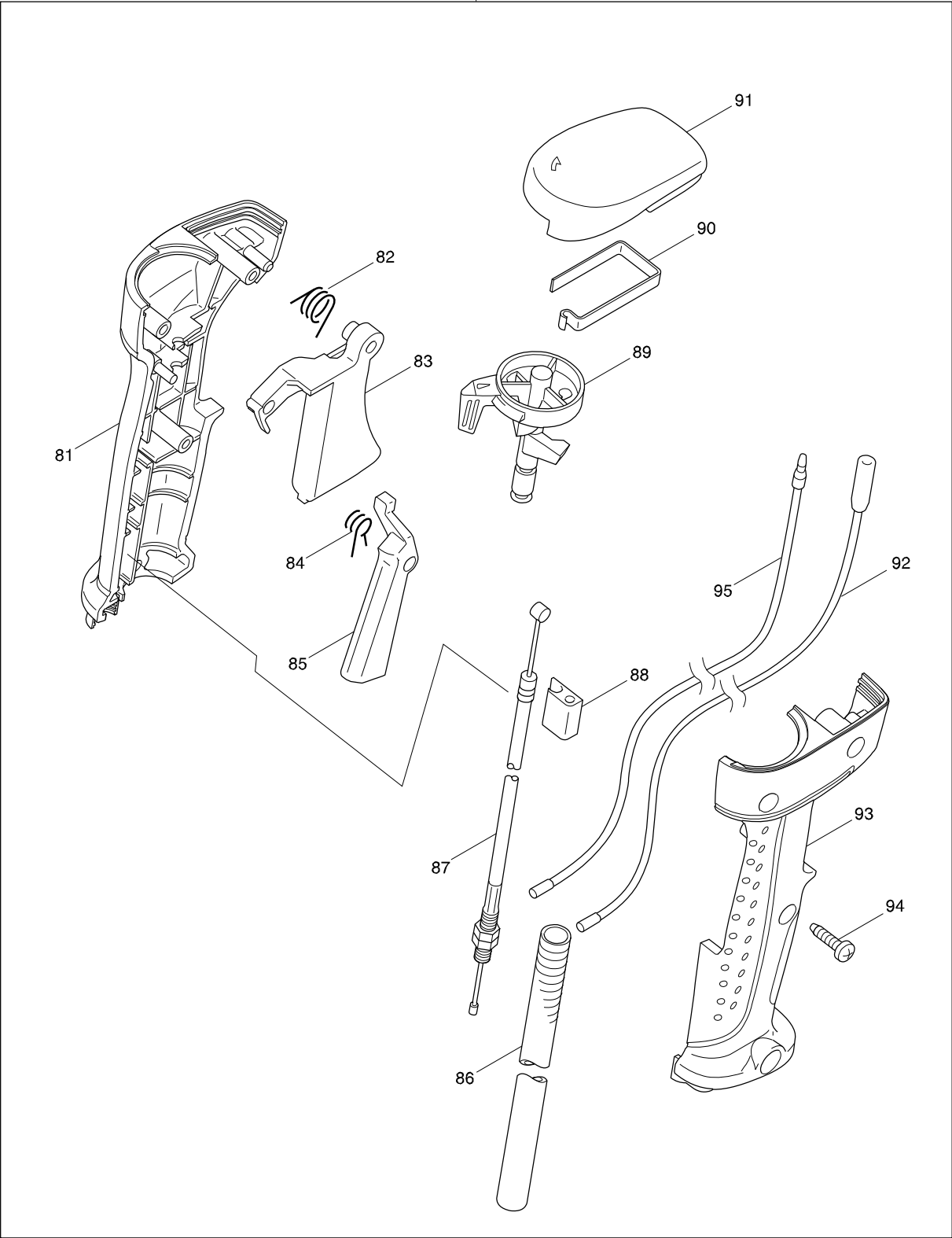


# Model MS34U PETROL BRUSH CUTTER

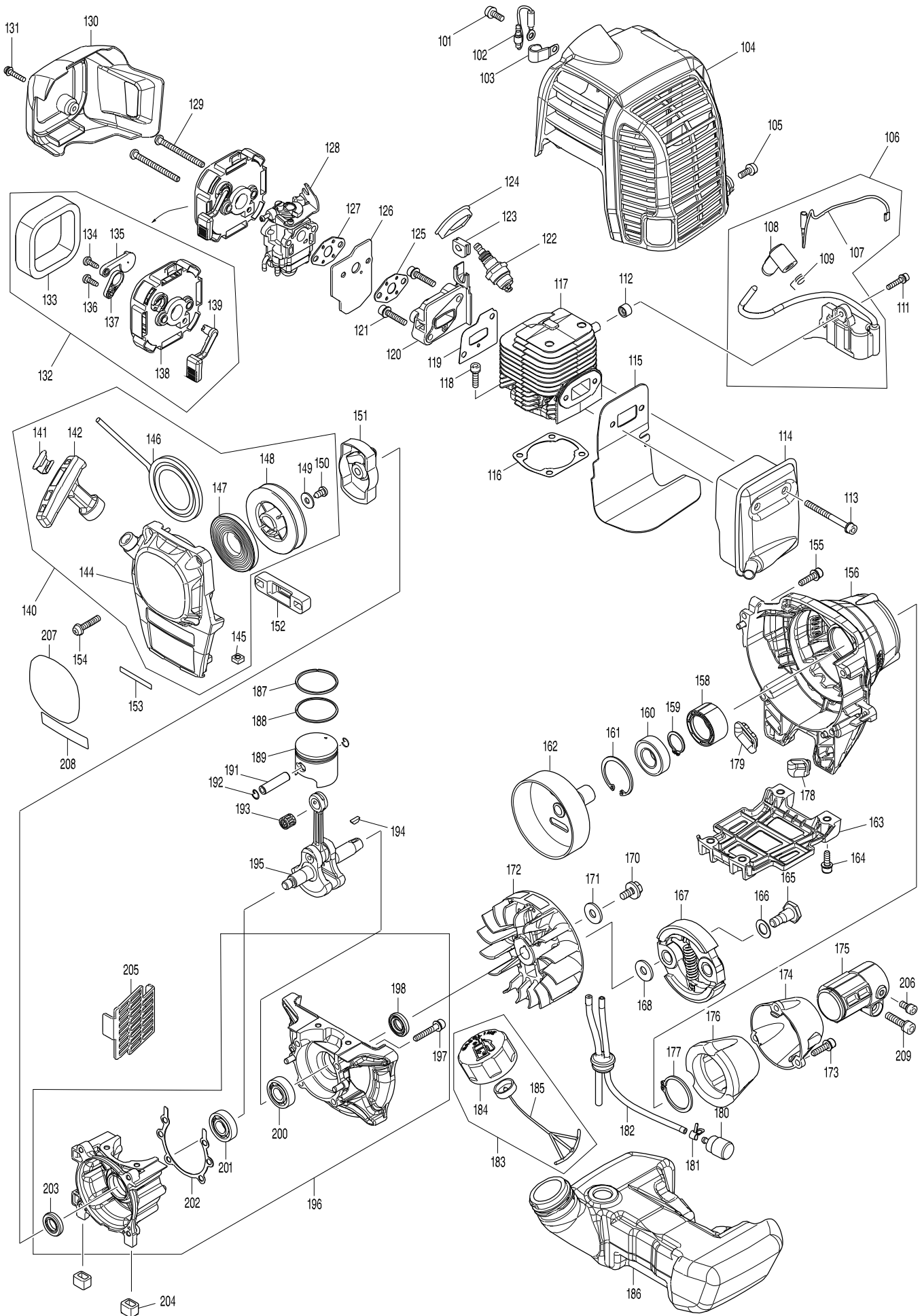


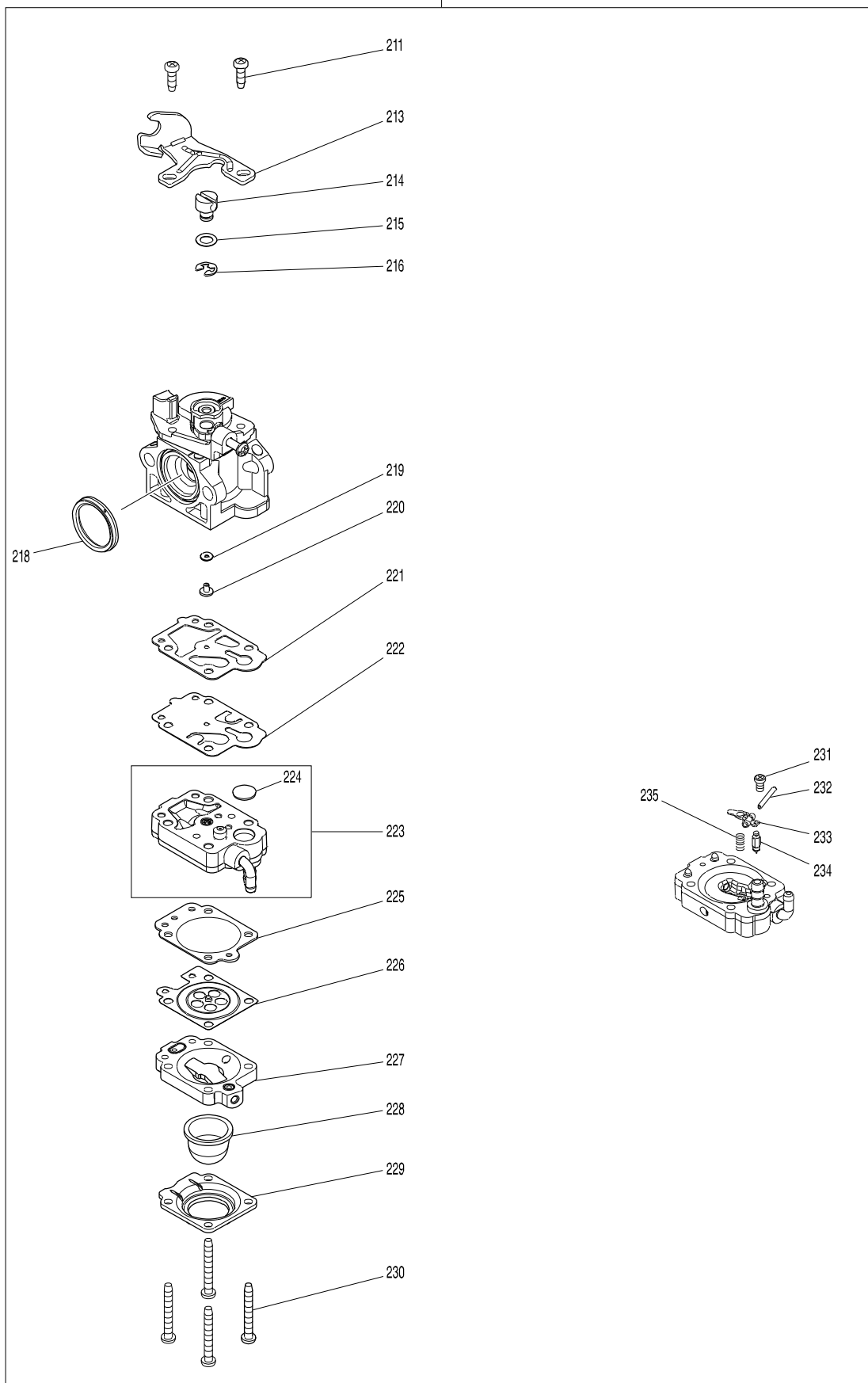
Model MS34U PETROL BRUSH CUTTER

6



# Model MS34U PETROL BRUSH CUTTER





Položka	Objednávacie	Popis	I/C	ks	N/O	Možnosť 1	Možnosť 2	Poznámka
001	143046-4	HANDLE COMPLETE		1				
D10		INC. 2						
002	273526-7	GRIP 18		1				
004	332123-9	HANDLE 19		1				
005	922256-4	IMBUSOVA SKRUTKA M5X35 2012NB		1				
006	126504-5	CONTROL LEVER ASSY		1				
D10		INC. 81-95						
008	922241-7	INBUS. SKRUTKA 5x25		4				
009	318272-6	HANDLE HOLDER 1		1				
010	318669-9	HANDLE HOLDER 2		1				
011	318670-4	HANDLE HOLDER 3		1				
012	922341-3	SKRUTKA M6x25		2				
013	125558-9	HANGER ASSEMBLY		1				
C10	931202-6	Skrutka M5		1				
D10		INC. 14						
014	922232-8	HEX. SOCKET HEAD BOLT M5X20		1				
015	168613-4	CUSHION		1				
017	801D19-4	SERIAL NO. LABEL		1				
018	805C79-2	CAUTION LABEL		1				
019	893388-3	DOLMAR LOGO LABEL		1				
020	142837-0	SHAFT PIPE COMPLETE		1				
021	443146-3	FELT RING 8		1				
022	325675-7	SHAFT		1				
023	266617-1	CROSS-RECESSED HEAD BOLT M6X2		2				
024	346841-3	PROTECTOR CLAMP		1	*			
024-1	346973-6	PROTECTOR CLAMP	<	1				
025	911263-2	SKRUTKA M5x40		2				
026	264035-7	HEX. NUT M5		2				
027	451878-8	PROTECTOR		1				
028	140424-9	PROTECTOR COMPLETE		1				
D10		INC. 29,30						
029	346262-9	CUTTER		1				
030	266574-3	TAPPING SCREW 5X25		1				
050	922213-2	H.S.H.BOLT M5X12 WITH WR		2				
051	126506-1	GEAR CASE ASSYMBLY		1				
D10		INC. 52-68						
052	KC00000014	HEX BOLT M6X8		1				
053	KC00000009	BALL BEARING 629		1				
054	KC00000008	PLATE		1				
055	KC00000012	BALL BEARING 6201DDU		1				
056	KC00000005	RETAINING RING R-32		1				
057	KC00000003	GUARD		1				
058	KC00000007	P.H.SCREW M4X20 WITH W		3				
059	KC00000013	RECEIVE WASHER		1				
060	KC00000004	CLAMP WASHER		1				
061	168526-9	PODLOŽKA NOŽA		1				
062	KC00000016	HEX NUT M10		1				
063	KC00000015	HEX. SOCKET HEAD BOLT M6X30 WR		1				

Položka	Objednávacie	Popis	I/C	ks	N/O	Možnosť 1	Možnosť 2	Poznámka
064	KC00000017	CUTTER SHAFT SET		1				
065	KC00000011	BALL BEARING 6000		1				
066	KC00000010	BALL BEARING 6000Z		1				
067	KC00000006	RETAINING RING S-10		1				
068	257988-7	RETAINING RING (INT) R-26		1				
081	183A10-9	LEVER CASE SET		1				
C10	252180-0	HEX. LOCK NUT M5-8		1				
D10		INC. 93						
082	233540-5	TORSION SPRING 11		1				
083	451084-5	THROTTLE LEVER		1				
084	233541-3	TORSION SPRING 7		1				
085	451083-7	LOCK OFF LEVER		1				
086	456084-0	CORRUGATE TUBE		1				
087	168867-3	CONTROL CABLE		1				
088	451081-1	CABLE HOLDER		1				
089	451500-7	SWITCH LEVER		1				
090	232251-9	PRUŽINA PRÍTLAČNÁ		1				
091	455723-9	SWITCH COVER		1				
092	638706-6	LEAD UNIT		1				
093	183A10-9	LEVER CASE SET		1				
C10	252180-0	HEX. LOCK NUT M5-8		1				
D10		INC. 81						
094	266326-2	SKRUTKA SAMOREZNÁ		3				
095	638705-8	LEAD UNIT		1				
101	911218-7	PAN HEAD SCREW M5X14		1				
102	632D74-3	LEAD UNIT		1				
103	345963-6	CLAMP		1				
104	455425-7	CYLINDER COVER		1				
105	911218-7	PAN HEAD SCREW M5X14		1				
106	126418-8	IGNITION COIL ASSEMBLY		1				
D10		INC. 107-109						
107	ZG00000001	WIRE		1				
108	ZG00000002	CAP,PLUG		1				
109	ZG00000003	SPRING,PLUG CAP		1				
111	922138-0	SKRUTKA M4X20MM		2				
112	452049-0	SPACER		2				
113	266917-9	HEX. SOCKET HEAD BOLT M5X55		2				
114	165754-7	EXHAUST MUFFLER		1				
115	346829-3	MUFFLER GASKET		1				
116	442208-4	CYLINDER GASKET		1				
117	319133-3	CYLINDER		1				
118	922231-0	HEX. SOCKET HEAD BOLT M5X20		4				
119	442210-7	INSULATOR GASKET		1				
120	455378-0	INSULATOR		1				
121	922243-3	IMBUŠOVA SKRUTKA M5X25 922243-		2				
122	168648-5	SPARK PLUG (BPMR7A)		1				
123	424491-5	GROMMET		1				
124	424656-9	PLUG CAP COVER		1				

Položka	Objednávacie	Popis	I/C	ks	N/O	Možnosť 1	Možnosť 2	Poznámka
125	442177-9	GASKET AIR CLEANER		1				
126	346591-0	CARBURETOR PLATE		1				
127	442177-9	GASKET AIR CLEANER		1				
128	168864-9	CARBURETOR		1				
D10		INC. 211,213-216,218-235						
129	0043105550	SCREW M5X55		2				
130	455377-2	AIR CLEANER COVER		1				
131	911138-5	SKRUTKA M4x20		1				
132	126502-9	AIR CLEANER PLATE ASSEMBLY		1				
D10		INC. 133-139						
133	443194-2	AIR CLEANER ELEMENT		1				
134	ZH00000001	TAPPING SCREW CT 4X12		1				
135	455374-8	CHOKE PLATE		1				
136	ZH00000001	TAPPING SCREW CT 4X12		1				
137	455376-4	AIR CLEANER CHECK PLATE		1				
138	455373-0	AIR CLEANER PLATE		1				
139	455375-6	CHOKE LEVER		1				
140	126501-1	RECOIL STARTER ASSEMBLY		1				
D10		INC. 141,142,144-150						
141	JL03007287	PLATE		1				
142	JL03007280	STARTER KNOB		1				
144	JL03007281	STARTER CASE COMPLETE		1				
145	JL12650113	NUT		2				
146	JL03007284	STARTER ROPE		1				
147	JL03007282	SPIRAL SPRING		1				
148	JL03007283	REEL		1				
149	JL03007285	WASHER		1	*			
149-1	JL03007288	SET SCREW	<	1				
D10		INC. 150						
150	JL03007286	TAPPING SCREW		1	*			
150-1	JL03007288	SET SCREW	<	1				
D10		INC. 149						
151	168863-1	PULLEY		1				
152	424657-7	DAMPER		1				
153	850G87-2	SERIAL NO. LABEL		1				
154	911243-8	SKRUTKA M5x25		4				
155	922233-6	HEX SOCKET HEAD BOLT M5X20		4				
156	143321-8	CLUTCH CASE COMPLETE		1				
158	451157-4	SPACER		1				
159	961057-5	POISTNÝ KRÚŽOK S-17		1				
160	210126-2	BALL BEARING 6003LLU		1				
161	962153-2	POISTNÝ KRÚŽOK R-35 962153-2		1				
162	165577-3	CLUTCH DRUM		1				
163	455370-6	TANK GUARD		1				
164	922223-9	H.S.H.BOLT M5X16 WITH WR		4				
165	266571-9	SHOULDER HEX. BOLT M8X23		2				
166	267849-3	WAVE WASHER 10		2				
167	125757-3	CLUTCH ASSEMBLY		1	*			

Položka	Objednávacie	Popis	I/C	ks	N/O	Možnosť 1	Možnosť 2	Poznámka
167-1	125757-3	CLUTCH ASSEMBLY	O	1				
C10	AN04002000	CLUTCH SHOE		2				
C20	AN02010C00	TENSION SPRING 9		1				
168	253762-1	FLAT WASHER 8		2				
170	266596-3	HEX. HEAD BOLT M6X16 WITH W		1				
171	267427-9	FLAT WASHER 7		1				
172	319137-5	FLYWHEEL		1				
173	922233-6	HEX SOCKET HEAD BOLT M5X20		3				
174	318453-2	PIPE RETAINER		1				
175	318454-0	PIPE BRACKET		1				
176	424204-4	DAMPER		1				
177	961151-3	RETAINING RING S-32		1				
178	424103-0	PLATE		1				
179	424102-2	PLATE		1				
180	163447-0	FILTER PALIVOVÝ DCS230T		1	*			
180-1	163447-0	FILTER PALIVOVÝ DCS230T	O	1				
181	345920-4	HOSE CLAMP		1				
182	126503-7	TUBE ASSEMBLY		1				
183	168668-9	FUEL TANK CAP COMPLETE		1				
D10		INC. 184,185						
184	452920-8	FUEL TANK CAP		1				
185	140436-2	STRAP COMPLETE		1				
186	455379-8	FUEL TANK		1				
187	257359-8	PISTON RING		2				
189	319136-7	PISTON		1				
191	268337-3	PISTON PIN 8		1				
192	233976-8	CLIP		2				
193	212702-8	NEEDLE CAGE 810		1				
194	254040-2	WOODRUFF KEY 3		1				
195	142542-9	CRANKSHAFT COMPLETE		1				
196	135647-2	CRANK CASE ASS'Y		1				
D10		INC. 197,198,200-203						
197	922253-0	H.S.H.BOLT M5X30 WITH WR		4				
198	213628-7	OIL SEAL		1				
200	210113-1	BALL BEARING 6001		1				
201	210113-1	BALL BEARING 6001		1				
202	442209-2	CRANK CASE GASKET		1				
203	213628-7	OIL SEAL		1				
204	424446-0	DAMPER		2				
205	455372-2	GUARD		1				
206	922213-2	H.S.H.BOLT M5X12 WITH WR		1				
207	805C70-0	MS-34 U MODEL NO. LABEL		1				
208	805C81-5	DOLMAR LOGO LABEL		1				
209	922341-3	SKRUTKA M6x25		1				
211	266704-6	PAN HEAD SCREW M3X10		2				
213	346588-9	BRACKET,CABLE		1				
214	325922-6	SWIVEL		1				
215	413140-9	WASHER		1				



# Model MS34U PETROL BRUSH CUTTER

Strana 5 / 5

Položka	Objednávacie	Popis	I/C	ks	N/O	Možnosť 1	Možnosť 2	Poznámka
216	257964-1	STOP RING E-3		1				
218	424444-4	PACKING RING		1				
219	WJ00016104	O RING		1				
220	WJ00112288	JET		1				
221	442155-9	PUMP GASKET		1				
222	168575-6	PUMP DIAPHRAGM		1	*			
222-1	WJ00009599	PUMP DIAPHRAGM	O	1				
223	140989-1	PUMP BODY ASSEMBLY		1				
224	352010-6	INLET SCREEN		1	*			
224-1	WJ00014070	INLET SCREEN	O	1				
225	442154-1	METERING DIAPHRAGM GASKET		1				
226	168620-7	METERING DIAPHRAGM		1				
227	140988-3	AIR PURGE BODY ASSEMBLY		1				
228	424314-7	PUMPA		1				
229	346270-0	PRIMER PUMP COVER		1				
230	266582-4	TAPPING SCREW 3X24		4				
231	WJ00096424	SCREW		1				
232	WJ00014477	METERING LEVER PIN		1				
233	WJ00016648	LEVER		1				
234	WJ00008282	INLET NEEDLE VALVE		1				
235	WJ00983160	SPRING		1				
A01	125802-4	BAND ASSEMBLY		1				
A02	161342-8	CUTTER ASSEMBLY 124		1				
A03	197320-2	CUTTER BLADE SET		1				
A04	450573-7	TOOL COVER		2	*			
A04-1	456924-2	TOOL COVER	O	1				
A05	782235-2	WRENCH 17-19		1	*			
A05-1	782031-8	WRENCH 17-19	<	1				
A06	783223-2	HEX. WRENCH 4		1				
A07	831315-2	ACCESSORY BAG		1				
A10	452193-3	CLAMP		1				