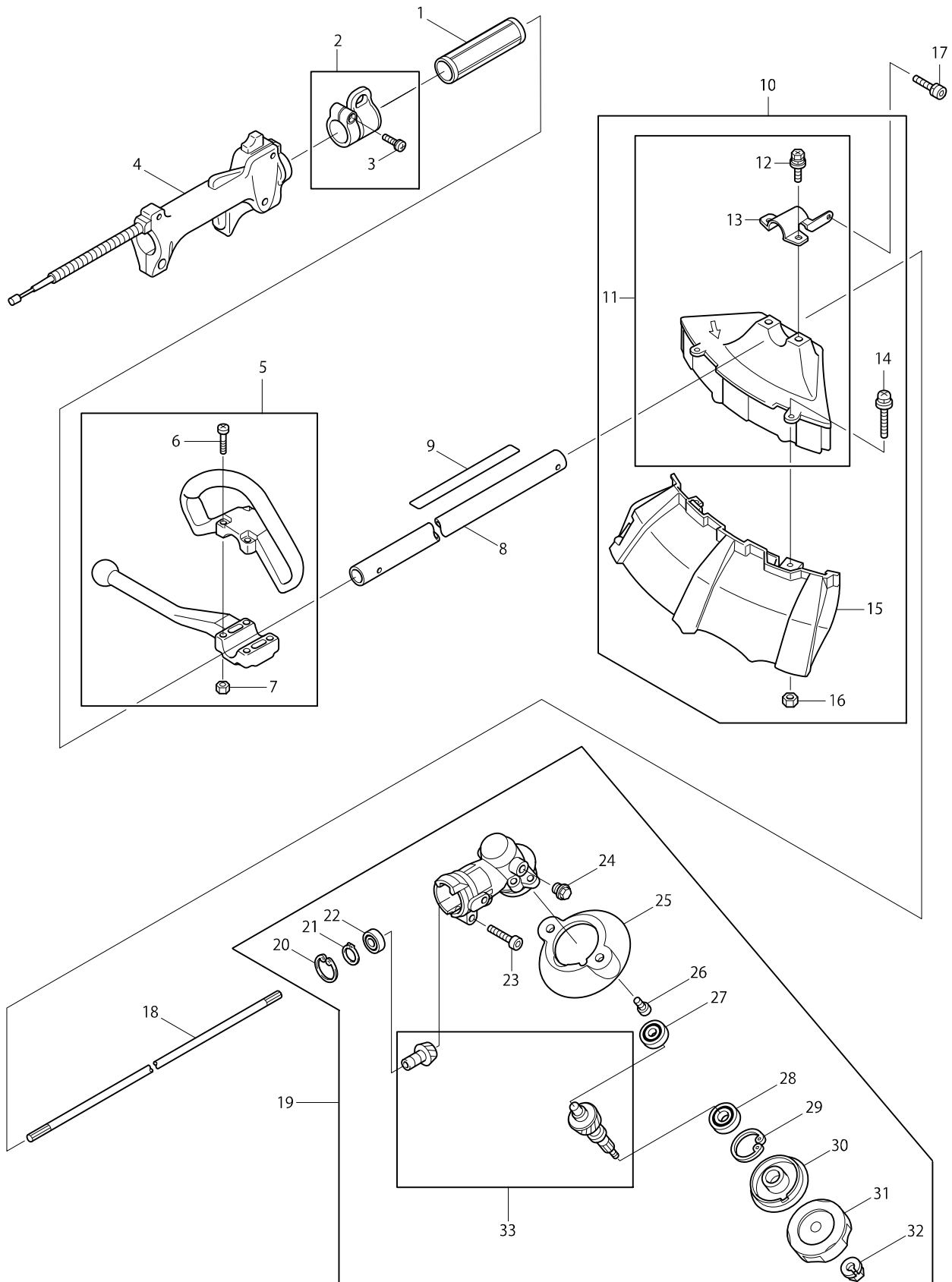
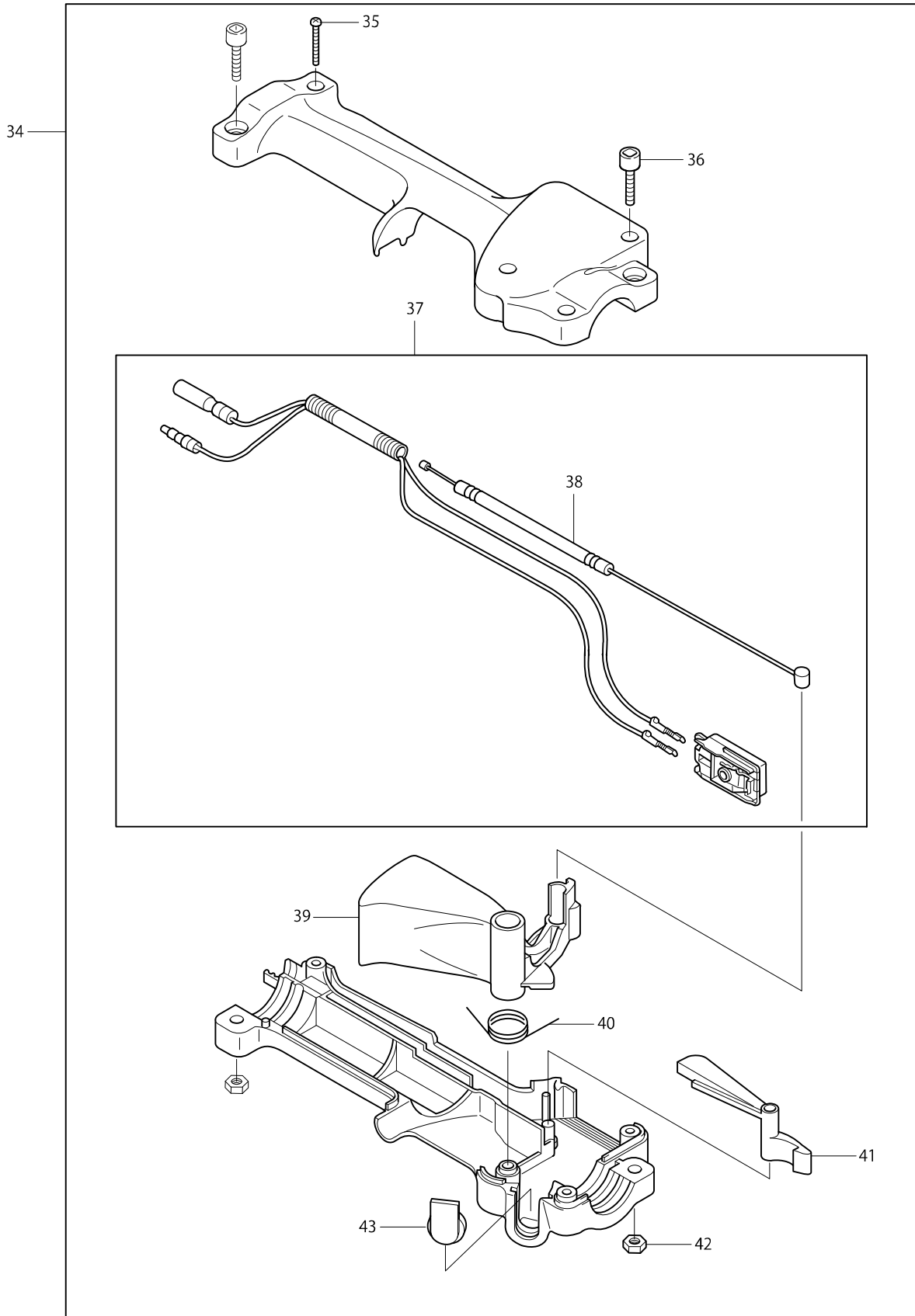


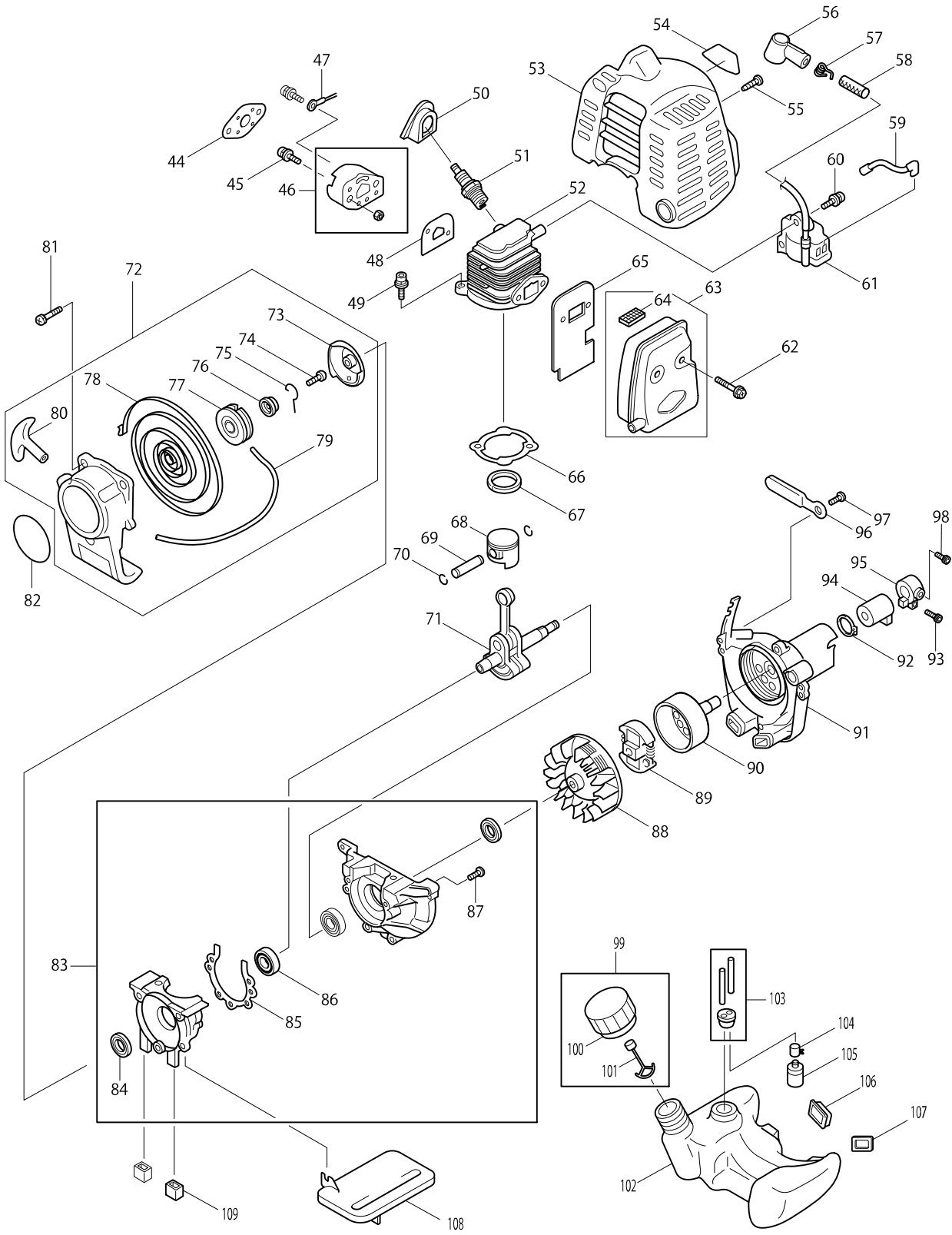
# Model MS22C STRING TRIMMER



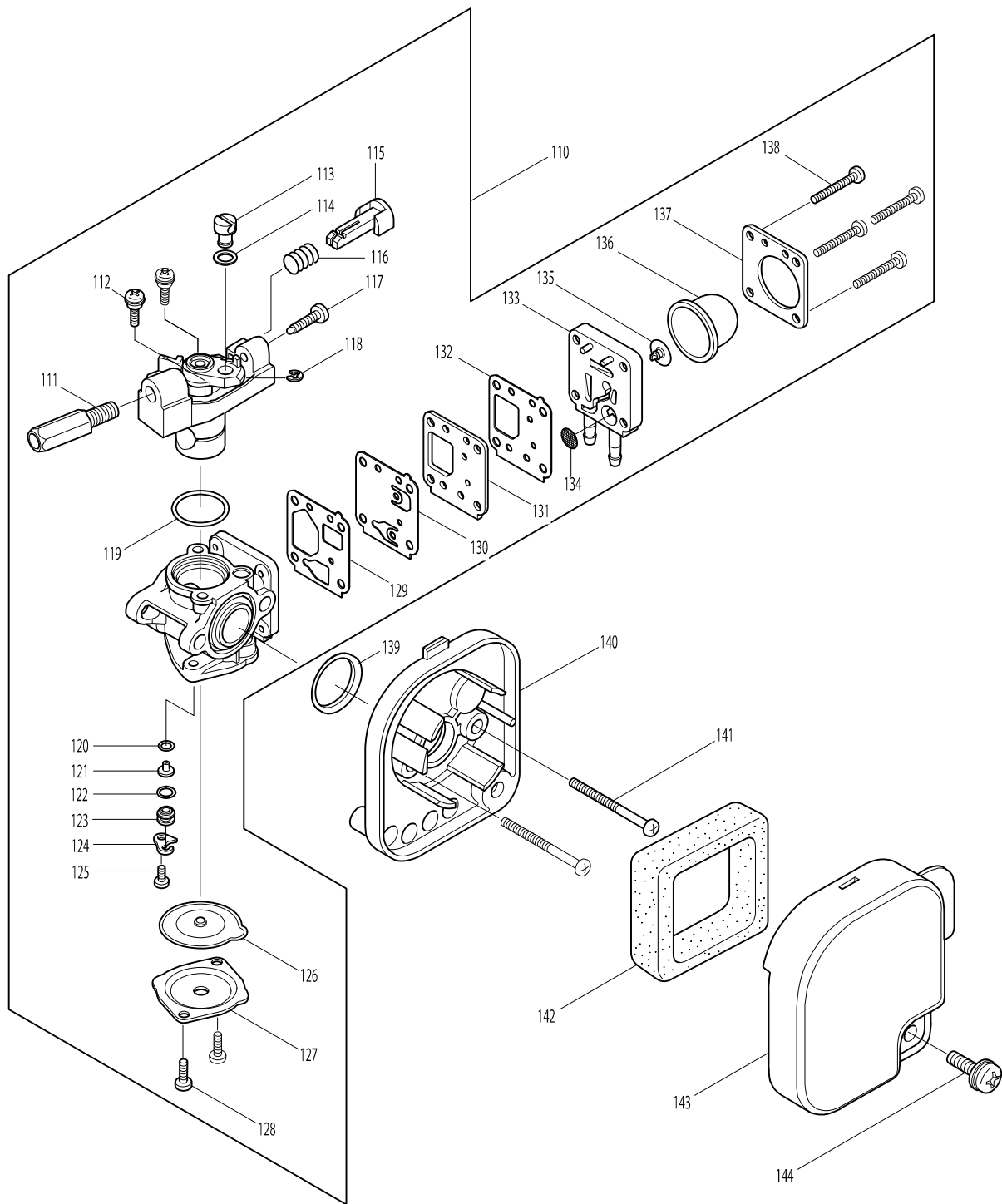
# Model MS22C STRING TRIMMER



# Model MS22C STRING TRIMMER



# Model MS22C STRING TRIMMER



# Model MS22C STRING TRIMMER

Strana 1 / 7

001	6271501501	SPACER		1	*		
001-1	450659-7	SPACER	O	1			
002	6197005001	HANGER ASS'Y		1	*		
D10		INC.3			*		
002-1	126378-4	HANGER ASS'Y	O	1			
D10		INC.3					
003	0140059360	SCREW & WASHER ASS'Y		1	*		
003-1	266788-4	PAN HEAD SCREW M5X20 WITH WR	O	1			
004	6195021000	CONTROL LEVER ASS'Y		1	*		
004-1	6195026000	CONTROL LEVER ASS'Y	S	1			
005	6214016000	HANDLE SET		1	*		
D10		INC.6,7			*		
005-1	125567-8	HANDLE ASSEMBLY	O	1			
D10		INC.6,7					
006	6214016030	SCREW		4	*		
006-1	266845-8	BINDING HEAD SCREW M5X25	O	4			
007	0022705000	NUT M5		4	*		
007-1	264093-3	HEX. NUT M5	O	4			
008	6191001001	SHAFT PIPE COMPLETE		1	*		
008-1	141986-0	SHAFT PIPE COMPLETE	O	1			
009	6199520200	CAUTION LABEL		1	*		
009-1	800N25-6	CAUTION LABEL	<	1			
010	6198014000	PROTECTOR ASS'Y		1	*		
D10		INC.11,14-16			*		
010-1	6198014001	PROTECTOR ASS'Y	O	1			
D10		INC.11,14-16					
011	6258061001	PROTECTOR ASS'Y		1	*		
D10		INC. 12,13			*		
011-1	6258061002	PROTECTOR ASSY	O	1			
D10		INC. 12,13,145					
012	0100069790	BOLT M6X30		2	*		
012-1	0100069770	BOLT,CROSSRECESS	O	2	*		
012-2	266617-1	CROSS-RECESSED HEAD BOLT M6X23	O	2			
013	6258508200	PROTECTOR CLAMP		1	*		
013-1	346493-0	PROTECTOR CLAMP	O	1			
014	0140059380	SCREW ASSEMBLY		2			
015	6198008001	PROTECTOR COMPLETE		1			
016	0021805000	NUT M5		2	*		
016-1	264035-7	HEX. NUT M5	O	2			
017	0119059490	SOCKET HEAD BOLT M5X14 (W,SW)		1			
018	6191500401	NÁHON (HRIADEL)		1	*		
018-1	324893-4	SHAFT	O	1			
019	6243006002	CASE,GEAR ASSY		1	*		
D10		INC.20-33			*		
019-1	125476-1	GEAR CASE ASSEMBLY	O	1			
D10		INC.20-33					
020	0031424000	INNER SNAP RING		1	*		

Objednaj diely s objednávacím číslom

Tlačiť 17/10/2017

021	6193006120	OUTER SNAP RING		1	*		
021-1	257986-1	RETAINING RING (EXT) S-9	O	1			
022	6212500300	BALL BEARING #609ZZ		1	*		
022-1	210049-4	BALL BEARING 609ZZ	O	1			
023	0119059890	SOCKET HEAD BOLT M5X25		1	*		
023-1	266805-0	H.S.H.BOLT M5X25 WITH W	O	1			
024	6253011012	OIL BOLT M6X9		1	*		
024-1	265578-2	+HEX.BOLT M6X8	O	1			
025	6218500200	GUARD		1	*		
025-1	450653-9	GUARD	O	1			
026	0140059390	SCREW ASSEMBLY		2	*		
026-1	265195-8	+PAN HEAD SCREW M5X12	O	2			
027	0600069990	BALL BEARING 626ZZ		1	*		
027-1	210083-4	BALL BEARING 626	O	1			
028	0600109910	BALL BEARING 6000DDU		1	*		
028-1	210082-6	BALL BEARING 6000DDU	O	1			
029	0031426000	INNER SNAP RING		1	*		
029-1	257988-7	RETAINING RING (INT) R-26	O	1			
030	6218501601	RECEIVE WASHER		1	*		
030-1	6218500000	RECEIVE WASHER	O	1	*		
030-2	332042-9	RECEIVE WASHER	O	1			
031	6218003001	PODLOŽKA NOŽA RBC/EM		1	*		
031-1	168481-5	CLAMP WASHER COMPLETE	O	1	*		
031-2	168797-8	CLAMP WASHER COMPLETE	O	1			
032	6258505001	MATICA RBC/EM neu		1	*		
032-1	264018-7	HEX.NUT M8	O	1			
033	6243008002	CUTTER SHAFT SET		1	*		
033-1	195350-7	CUTTER SHAFT SET	O	1			
034	6195021000	CONTROL LEVER ASS'Y		1	*		
D10		INC.35-43			*		
034-1	6195026000	CONTROL LEVER ASS'Y	S	1			
D10		INC.35-43					
035	6195006060	TAPPING SCREW M4X20		4	*		
035-1	266584-0	TAPPING SCREW 4X20	O	4			
036	0119059720	SOCKET HEAD BOLT M5X20		2	*		
036-1	266698-5	HEX. SOCKET HEAD BOLT M5X20	O	2			
037	6195021010	WIRE SET		1	*		
D10		INC.38			*		
037-1	6195026010	WIRE ASS'Y	X	1			
D10		INC.38					
038	6195021020	CONTROL CABLE		1	*		
038-1	6195026020	WIRE COMPL	X	1			
039	6195006030	LEVER		1	*		
039-1	451933-6	LONG LEVER	O	1			
040	6195006050	SPRING		1	*		
040-1	233568-3	TORSION SPRING	O	1			
041	6215023060	LEVER		1	*		

042	6415011160	NUT		2	*		
042-1	931203-4	HEX. NUT M5	O	2			
043	6195006150	TOP		1	*		
043-1	451936-0	TOP	O	1			
044	5103502801	SPACER GASKET		1	*		
044-1	442177-9	GASKET AIR CLEANER	O	1			
045	0140059500	SCREW M5X25		2	*		
045-1	266700-4	PAN HEAD SCREW M5X25	O	2			
046	5233014000	INSULATOR COMPL.		1	*		
046-1	141056-5	INSULATOR COMPLETE	O	1			
047	6165500201	WIRE		1	*		
047-1	638784-6	WIRE	O	1			
048	5193500501	INSULATOR GASKET		1	*		
048-1	442175-3	INSULATOR GASKET	O	1			
049	0119059730	SOCKET HEAD BOLT M5X20		2	*		
049-1	266814-9	HEX SOCKET HEAD BOLT M5X20	O	2			
050	5197500100	PLUG CAP COVER		1	*		
050-1	424445-2	PLUG CAP COVER	O	1			
051	0650149661	SPARK PLUG		1	*		
051-1	168648-5	SPARK PLUG (BPMR7A)	O	1			
052	5191500901	CYLINDER		1	*		
052-1	318785-7	CYLINDER	O	1			
053	5195503100	CYLINDER COVER		1	*		
053-1	452974-5	CYLINDER COVER	O	1	*		
053-2	424702-8	CYLINDER COVER	S	1			
054	6169508100	TRADE MARK LABEL "DOLMAR"		1	*		
054-1	892914-5	DOLMAR LOGO LABEL	O	1	*		
055	0150059790	TAPPING SCREW 5X14		1	*		
055-1	266702-0	TAPPING SCREW 5X14	O	1			
056	0655009870	PLUG CAP		1	*		
056-1	424337-5	PLUG CAP	O	1			
057	0654009931	PLUG CAP SPRING		1	*		
057-1	324891-8	PLUG CAP SPRING	O	1			
058	0851089950	TUBE		1	*		
058-1	444021-6	TUBE	O	1			
059	5197018000	WIRE COMPL		1	*		
059-1	141049-2	WIRE COMPLETE	O	1			
060	0140049770	SCREW ASSY M4X16(W,SW)		2			
061	5197011010	IGNITION COIL		1	*		
061-1	168683-3	IGNITION COIL	O	1			
062	0119059520	SOCKET HEAD BOLT M5X40		2	*		
062-1	266440-4	HEX SOCKET HEAD BOLT M5X40	O	2			
063	5193001002	EXHAUST MUFFLER		1	*		
D10		INC.64			*		
063-1	168679-4	EXHAUST MUFFLER	O	1			
D10		INC.64					
064	5193001050	SPARK ARRESTER		1			

065-1	168680-9	MUFFLER GASKET	O	1				
066	5191500301	CYLINDER GASKET		1	*			
066-1	442173-7	CYLINDER GASKET	O	1				
067	5212500500	PISTON RING		1	*			
067-1	257320-5	PISTON RING	O	1				
068	5192501701	PISTON		1	*			
068-1	318831-6	PISTON	O	1				
069	5192500500	PISTON PIN		1	*			
069-1	268277-5	PISTON PIN	O	1				
070	0565089970	PODLOŽKA ZAISTOVACIA RST/RBC/RBL/EM4250		2	*			
070-1	233976-8	CLIP	O	2				
071	5192001003	CRANKSHAFT COMPLETE		1	*			
071-1	141047-6	CRANK SHFT COMPLETE	O	1				
072	5195009000	REWIND STARTER		1	*			
D10		INC.73-80			*			
072-1	126037-0	RECOIL STARTER ASSEMBLY	O	1				
D10		INC.73-80						
073	5195500000	PULLEY		1	*			
073-1	168483-1	PULLEY	O	1				
074	5195002060	SET SCREW		1	*			
074-1	266585-8	TAPPING SCREW 5X12	O	1				
075	5195002100	SWING ARM		1	*			
075-1	325923-4	SWING ARM	O	1				
076	5195002110	COLLAR		1	*			
076-1	451938-6	COLLAR	O	1				
077	5195002030	REEL		1	*			
077-1	452972-9	REEL	O	1				
078	5195002050	SPIRAL SPRING		1	*			
078-1	234220-6	SPIRAL SPRING	O	1				
079	5255016020	STARTER ROPE		1	*			
079-1	444024-0	STARTER ROPE	O	1				
080	5225004020	HANDLE		1	*			
080-1	424319-7	STARTER KNOB	O	1				
081	0140049770	SCREW ASSY M4X16(W,SW)		3				
082	6199520500	MODEL LABEL		1				
083	5191004001	CRANK CASE ASSY		1				
D10		INC.84-87						
084	0440109980	OIL SEAL		2	*			
084-1	213638-4	OIL SEAL	O	2				
085	5191500400	CRANKCASE GASKET		1	*			
085-1	442174-5	CRANK CASE GASKET	O	1				
086	0600109980	BALL BEARING 6000		2	*			
086-1	210086-8	BALL BEARING 6000	O	2	*			
086-2	211064-1	BALL BEARING 6000	O	2				
087	0140059520	SCREW M5X25		3	*			
087-1	266701-2	PAN HEAD SCREW M5X25	O	3				
088	5197017010	FLYWHEEL		1	*			



089	6192002003	CLUTCH		1	*		
089-1	168818-6	CLUTCH	O	1			
090	6192001001	CLUTCH DRUM COMPLETE		1			
091	6191006001	CLUTCH CASE COMPLETE		1	*		
091-1	141058-1	CLUTCH CASE COMPLETE	O	1			
092	0031510000	OUTER SNAP RING 10		1	*		
092-1	961006-2	POISTNY KRUZOK S-10	O	1			
093	0119059880	SOCKET HEAD BOLT M5X25		1	*		
093-1	266712-7	HEX SOCKET HEAD BOLT M5X25	O	1			
094	6191500203	PIPE DAMPER		1	*		
094-1	424461-4	PIPE DAMPER	O	1			
095	6191501300	PIPE BRACKET		1	*		
095-1	318792-0	PIPE BRACKET	O	1			
096	0566059980	CLAMP		1	*		
096-1	345963-6	CLAMP	O	1			
097	0150059780	TAPPING SCREW M5X20		3	*		
097-1	266713-5	TAPPING SCREW 5X20	O	3			
098	0119059850	SOCKET HEAD BOLT M5X14		1	*		
098-1	266711-9	HEX SOCKET HEAD BOLT M5X14	O	1			
099	5256059000	FUEL TANK CAP COMPLETE		1	*		
D10		INC.100,101			*		
099-1	168668-9	FUEL TANK CAP COMPLETE	O	1			
D10		INC.100,101					
100	5256058000	VIECKO PALIVOVEJ NADRZE UPLNE		1	*		
D10		INC.111-138			*		
100-1	452920-8	FUEL TANK CAP	O	1			
D10		INC.111-138					
101	5256067000	STRAP		1	*		
101-1	140436-2	STRAP COMPLETE	O	1			
102	5196500003	FUEL TANK		1	*		
102-1	452989-2	FUEL TANK	O	1			
103	0851159850	TUBE		1	*		
103-1	162329-3	TUBE	O	1			
104	0561059990	HOSE CLAMP		1	*		
104-1	345920-4	HOSE CLAMP	O	1			
105	5236503900	FILTER RST/RBC/RBL0EM4250		1	*		
105-1	163447-0	FILTER PALIVOVÝ DCS230T	O	1	*		
105-2	163447-0	FILTER PALIVOVÝ DCS230T	O	1			
106	5036500200	PLATE		1	*		
106-1	424102-2	PLATE	O	1			
107	5036500300	PLATE		1	*		
107-1	424103-0	PLATE	O	1			
108	5193500101	PLATE		1	*		
108-1	452988-4	MUFFLER PLATE	O	1			
109	5216500200	DAMPER		2	*		
109-1	424446-0	DAMPER	O	2			
110	5196036000	CARBURETOR		1	*		

110-2	168682-5	CARBURETOR	O	1				
111	5196019240	ADJUST SCREW		1	*			
111-1	5196043010	STAY	X	1	*			
111-2	346510-6	STAY	O	1				
112	5196019310	SCREW		2	*			
112-1	5196043020	SCREW	X	2	*			
112-2	266720-8	TAPPING SCREW M3X10	O	2				
113	5196019450	LEVER END		1	*			
113-1	326099-0	END LEVER	O	1				
114	5196019460	WASHER		1	*			
114-1	267837-0	WASHER	O	1				
115	5196036010	STARTER LEVER		1	*			
115-1	452976-1	STARTER LEVER	O	1				
116	5196036020	STARTER SPRING		1	*			
116-1	234221-4	STARTER SPRING	O	1				
117	5196019250	SLOW STOP SCREW		1	*			
117-1	266718-5	TAPPING SCREW M3X16	O	1				
118	5196019510	E-RING		1	*			
118-1	259051-2	E-RING 4.5	O	1				
119	5196019220	O-RING		1	*			
119-1	213630-0	O-RING 18	O	1				
120	5196019150	O-RING		1	*			
120-1	213629-5	O-RING 2	O	1				
121	5196032010	MAIN JET		1	*			
121-1	326100-1	MAIN JET	O	1				
122	5196019410	O-RING		1	*			
122-1	213631-8	O-RING 4	O	1				
123	5196019360	CHECK VALVE ASSY		1	*			
123-1	126052-4	CHECK VALVE ASSEMBLY	O	1				
124	5196019420	GUIDE PLATE		1	*			
124-1	346509-1	GUIDE PLATE	O	1				
125	5196019430	SCREW		1	*			
125-1	266721-6	TAPPING SCREW M2.6X6	O	1				
126	5196019040	DIAPHRAGM ASSY		1	*			
126-1	126038-8	DIAPHRAGM ASSEMBLY	O	1				
127	5196019050	DIAPHRAGM COVER		1	*			
127-1	346513-0	DIAPHRAGM COVER	O	1				
128	5196019060	SCREW		2	*			
128-1	266715-1	TAPPING SCREW M3X8	O	2				
129	5196019110	PUMP PACKING		1	*			
129-1	442176-1	PUMP PACKING	O	1				
130	5196019120	PUMP DIAPHRAGM		1	*			
130-1	424460-6	PUMP DIAPHRAGM	O	1				
131	5196019350	PUMP PLATE		1	*			
131-1	346508-3	PUMP PLATE	O	1				
132	5196019130	PUMP PACKING		1	*			
132-1	442178-7	PUMP PACKING	O	1				

