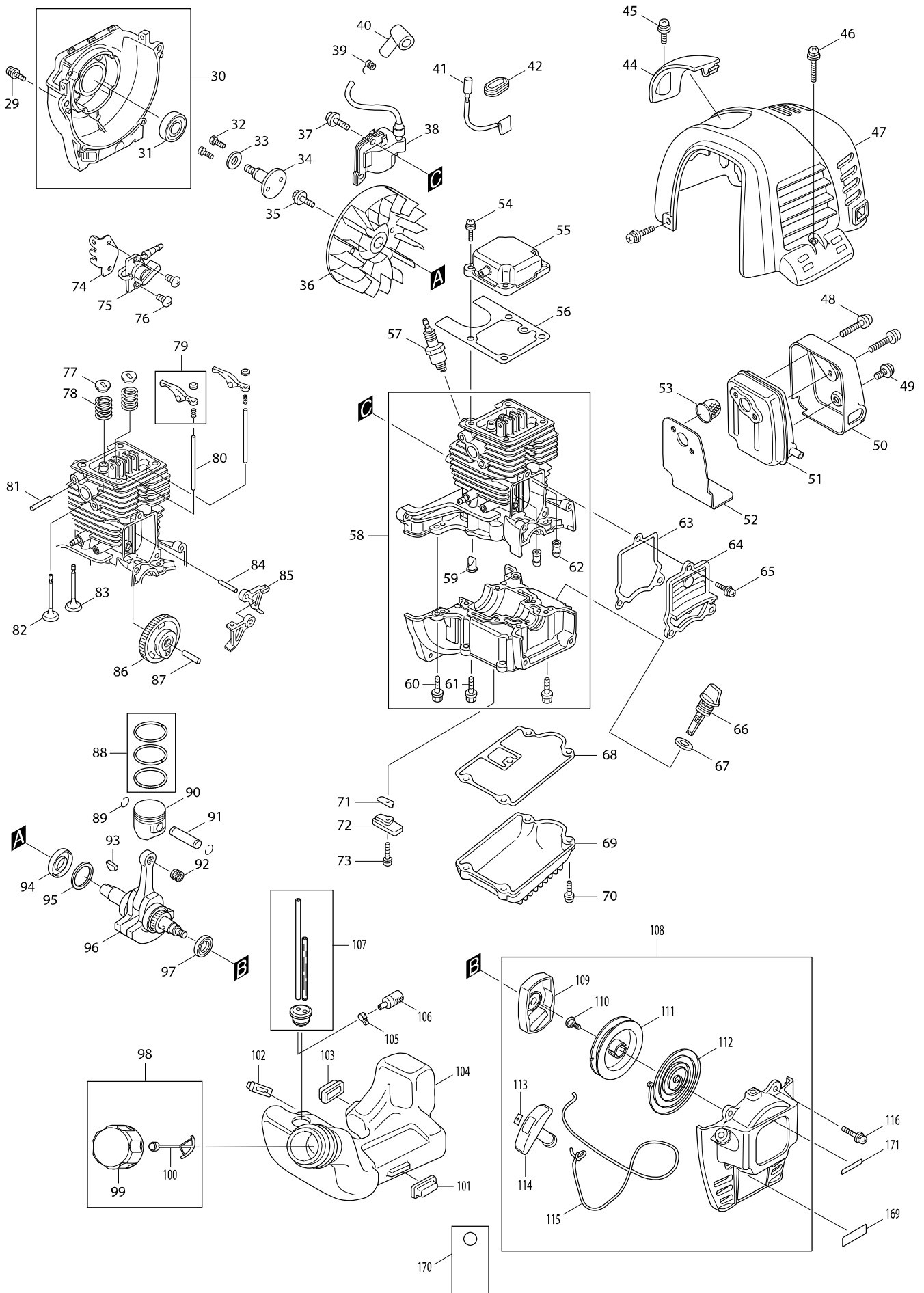
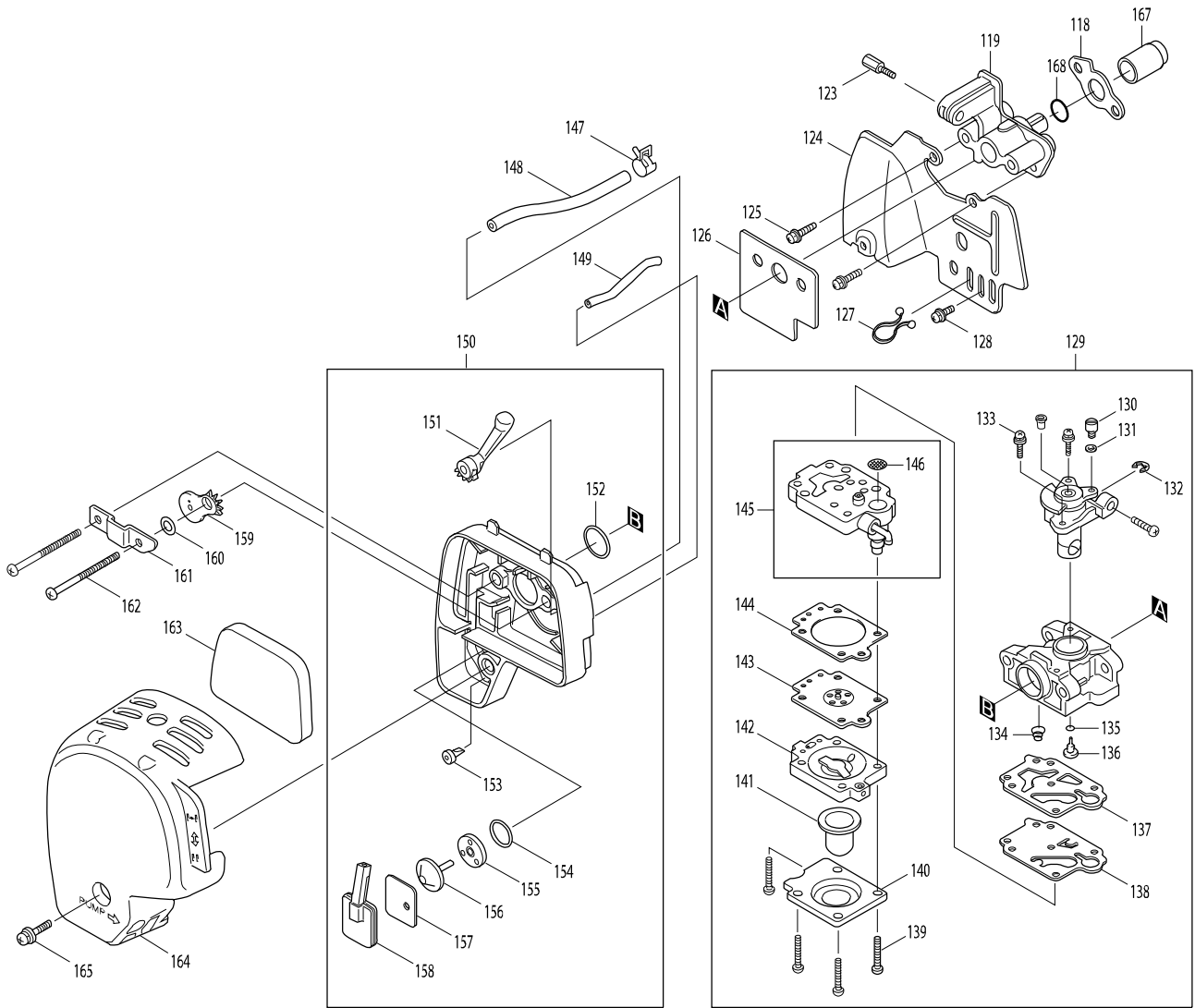


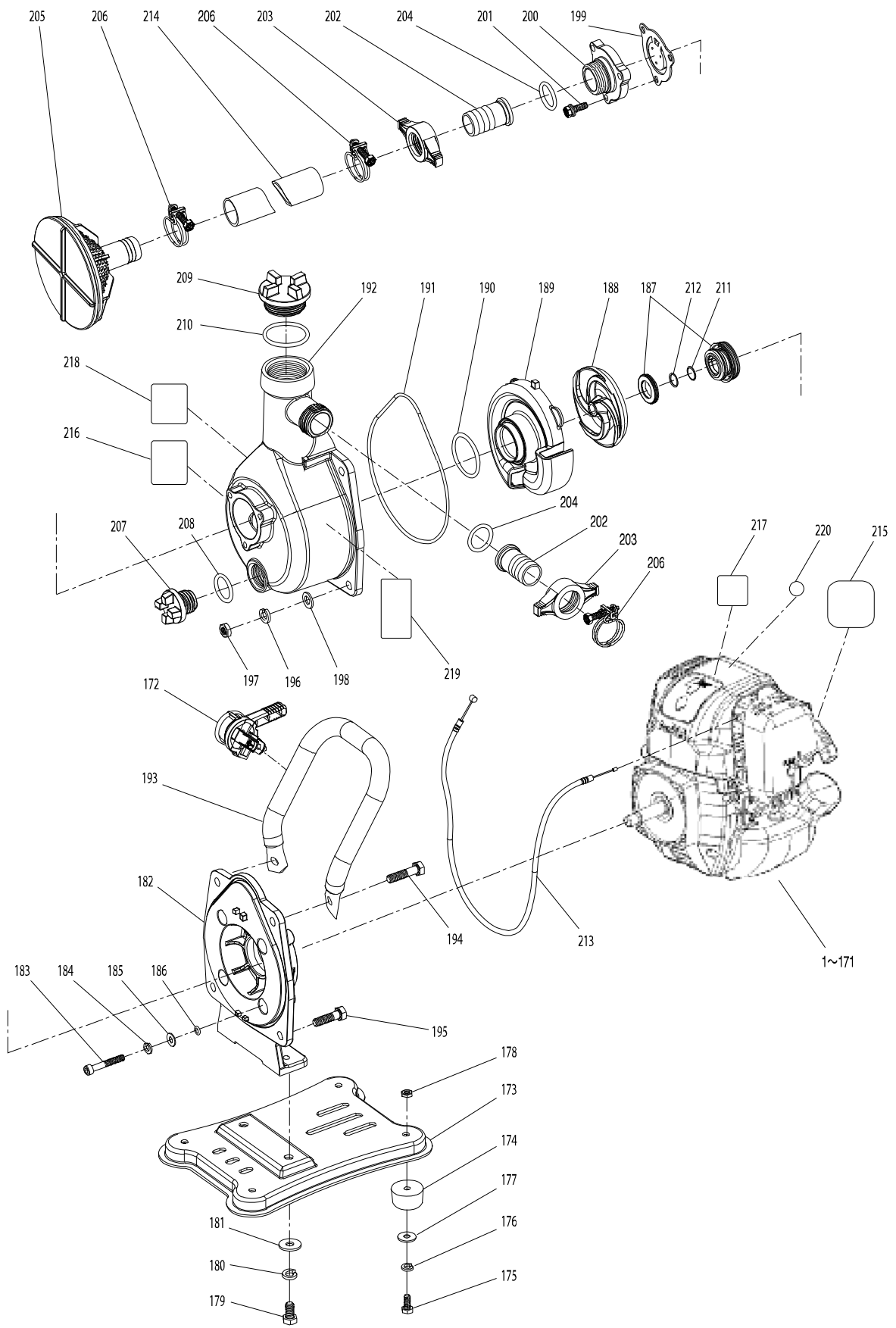
# Model MP335.4 ENGINE PUMP



# Model MP335.4 ENGINE PUMP



# Model MP335.4 ENGINE PUMP



2012/09  
MP335.4 3/3

Položka	Objednávacie	Popis	I/C	ks	N/O	Možnosť 1	Možnosť 2	Poznámka
029	922223-9	H.S.H.BOLT M5X16 WITH WR		4				
030	141768-0	BLOWER HOUSING COMPLETE		1				
D10		INC. 31						
031	211243-1	BALL BEARING 6002ZZ		1				
032	922442-7	IMBUSOVA SKRUTKA 8x25		2				
033	257339-4	RING 17		1				
034	326224-3	SHAFT		1				
035	265577-4	HEX HEAD BOLT M6X16		1				
036	318939-6	FLYWHEEL		1	*			
036-1	319036-1	FLYWHEEL	O	1				
037	922138-0	SKRUTKA M4X20MM		2				
038	168501-5	ZAPALOVANIE EBH252,4		1	*			
038-1	168816-0	IGNITION COIL	S	1				
039	324891-8	PLUG CAP SPRING		1				
040	424105-6	PLUG CAP		1				
041	638665-4	LEAD UNIT		1	*			
041-1	632E39-1	LEAD UNIT	S	1				
042	424313-9	GROMMET		1				
044	451876-2	PLUG COVER		1				
045	266572-7	+ TRUSS HEAD SCREW M5X8		1				
046	911213-7	SKRUTKA M5x12		3				
047	451884-3	CYLINDER COVER		1				
048	266440-4	HEX SOCKET HEAD BOLT M5X40		2				
049	265184-3	+TRUSS HEAD SCREW M5X5		1				
050	345915-7	MUFFLER COVER		1				
051	168469-5	VÝFUK EBH252U		1				
052	345916-5	MUFFLER GASKET		1				
053	324980-9	SPARK ARRESTER		1				
054	922217-4	HEX. SOCKET HEAD BOLT M5X14		4				
055	140419-2	ROCKER COVER COMPLETE		1				
056	162307-3	ROCKER COVER GASKET		1				
057	168401-9	SPARK PLUG		1				
058	135563-8	CYLINDER BLOCK ASSEMBLY		1				
D10		INC. 59-62						
059	424201-0	CHECK VALVE		2				
060	922222-1	IMBUSOVA SKRUTKA M5x16		4				
061	266573-5	HEX. SOCKET HEAD BOLT M5X33		4				
062	424200-2	SPACER		2				
063	162274-2	CAM GEAR COVER GASKET		1				
064	318443-5	CAM GEAR COVER		1				
065	922212-4	IMBUSOVA SKRUTKA M5x12		3				
066	450565-6	OIL GAUGE		1				
067	424100-6	GASKET		1				
068	162308-1	CASE GASKET		1				
069	318612-8	OIL CASE		1				
070	922217-4	HEX. SOCKET HEAD BOLT M5X14		4				
071	346083-9	LEAD VALVE		1				
072	318440-1	RETAINER PLATE		1				

Položka	Objednávacie	Popis	I/C	ks	N/O	Možnosť 1	Možnosť 2	Poznámka
073	922112-8	IMBUSOVA SKRUTKA 4x10		1				
074	346640-3	PLATE		1				
075	126241-1	SWITCH ASSEMBLY		1	*			
075-1	126241-1	SWITCH ASSEMBLY	O	1				
076	911107-6	PAN HEAD SCREW M4X8		2				
077	325912-9	SPRING RETAINER		2				
078	234181-0	COMPRESSION SPRING 11		2	*			
078-1	234181-0	COMPRESSION SPRING 11	O	2				
079	125554-7	ROCKER ARM ASSEMBLY		2				
080	256866-8	ROD 2.5		2				
081	256200-2	KOLÍK 5 2704		1				
082	325914-5	INTAKE VALVE		1				
083	325913-7	EXHAUST VALVE		1				
084	268239-3	PIN 4		1				
085	313169-4	CAM LIFTER		2				
086	125552-1	CAM GEAR ASSEMBLY		1				
087	268238-5	PIN 5		1				
088	195141-6	PISTON RING SET		1				
089	233983-1	CLIP		2				
090	318613-6	PISTON		1				
091	257796-6	PISTON PIN		1				
092	212085-6	NEEDLE CAGE1014		1				
093	254040-2	WOODRUFF KEY 3		1				
094	213537-0	OIL SEAL 12		1				
095	267425-3	FLAT WASHER 26		1				
096	141767-2	CRANK SHAFT COMPLETE		1	*			
096-1	126559-0	CRANKSHAFT ASSEMBLY	O	1				
097	213148-1	TESNIACI KRÚŽOK 10 EBH252U		1	*			
097-1	213769-9	OIL SEAL 10	<	1				
098	125472-9	FUEL TANK CAP ASSEMBLY		1				
D10		INC, 99.100						
099	140435-4	FUEL TANK CAP		1				
100	140436-2	STRAP COMPLETE		1				
101	424104-8	DAMPER		1				
102	424102-2	PLATE		1				
103	424103-0	PLATE		1				
104	451877-0	FUEL TANK		1				
105	345920-4	HOSE CLAMP		1				
106	163447-0	FILTER PALIVOVÝ DCS230T		1	*			
106-1	163447-0	FILTER PALIVOVÝ DCS230T	O	1				
107	162309-9	TUBE		1				
108	195142-4	RECOIL STARTER SET		1				
D10		INC, 109-115						
109	165606-2	PULLEY		1	*			
109-1	168827-5	PULLEY	O	1				
110	266580-8	TAPPING SCREW 5X10		1				
111	451923-9	REEL		1				
112	232257-7	SPIRAL SPRING		1				

Položka	Objednávacie	Popis	I/C	ks	N/O	Možnosť 1	Možnosť 2	Poznámka
114	424317-1	STARTER KNOB		1				
115	444018-5	STARTER ROPE		1				
116	911218-7	PAN HEAD SCREW M5X14		1				
118	413120-5	INSULATOR GASKET		1				
119	451874-6	INSULATOR		1				
123	325934-9	ADJUST SCREW		1				
124	346261-1	CARBURETOR INSULATOR		1				
125	922228-9	H.S.H.BOLT M5X18 WITH WR		2				
126	413138-6	CARBURETOR GASKET		1				
127	450562-2	CLAMP		1				
128	922213-2	H.S.H.BOLT M5X12 WITH WR		1				
129	168783-9	CARBURETOR		1				
D10		INC, 130-135,137-144,146						
130	325922-6	SWIVEL		1				
131	413140-9	WASHER		1				
132	257964-1	STOP RING E-3		1				
133	266581-6	PAN HEAD SCREW M3X8 WITH W		2	*			
133-1	WJ00096364	SCREW M3X8 WITH WASHER	O	2				
134	234183-6	CONICAL COMPRESSION SPRING 5-9		1				
135	213538-8	O RING 2		1				
137	442155-9	PUMP GASKET		1				
138	168575-6	PUMP DIAPHRAGM		1	*			
138-1	WJ00009599	PUMP DIAPHRAGM	O	1				
139	266582-4	TAPPING SCREW 3X24		4				
140	346270-0	PRIMER PUMP COVER		1				
141	424314-7	PUMPA		1				
142	140438-8	AIR PURGE BODY		1				
143	168574-8	METERING DIAPHRAGM		1				
144	442154-1	METERING DIAPHRAGM GASKET		1				
146	352010-6	INLET SCREEN		1	*			
146-1	WJ00014070	INLET SCREEN	O	1				
147	345918-1	HOSE CLAMP		1				
148	422055-9	BREATHER PIPE		1				
149	422042-8	PIPE		1				
150	125468-0	Nd		1				
D10		INC, 151-158						
151	451925-5	CHOKE LEVER		1				
152	213540-1	O RING 15		1				
153	424316-3	CHECK VALVE		1				
154	213539-6	O RING 14		1				
155	451924-7	CHECK VALVE PLATE		1				
156	424315-5	CHECK VALVE		1				
157	168577-2	SEPARATOR GASKET		1				
158	168576-4	SEPARATOR PLATE		1				
159	450560-6	KLAPKA EBH252U		1				
160	423376-2	PODLOŽKA EBH 252U		1				
161	345919-9	PLATE		1				
162	265188-5	+PAN HEAD SCREW M5X68		2				

Položka	Objednávacie	Popis	I/C	ks	N/O	Možnosť 1	Možnosť 2	Poznámka
163	443141-3	FILTER EBH 252U		1				
164	450561-4	AIR CLEANER COVER		1				
165	911218-7	PAN HEAD SCREW M5X14		4				
167	325915-3	INTAKE PIPE		1				
168	213078-6	O-RING 10		1				
170	819431-0	CAUTION TAG		1				
171	897795-2	SERIAL NO. LABEL		1				
172	ME08121070	REFUELING HANDLE GROUP		1				
173	ME08122002	BASE		1				
174	ME08122003	RUBBER FEET		4				
175	ME08122004	HEXAGON BOLT		4				
176	ME08122005	WAD		4				
177	ME08122006	GASKET		4				
178	ME08122007	HEXAGON NUT		4				
179	ME08122008	HEXAGON BOLT		2				
180	ME00200117	WAD		2				
181	ME08122040	GASKET		2				
182	ME08122010	PUMP FRAME		1				
183	ME08122011	HEXAGON SOCKET SCREW		4				
184	ME08122012	WAD		4				
185	ME08122013	GASKET		4				
186	ME08122014	O-RING		4				
187	ME08122015	MECHANICAL OIL SEAL		1				
188	ME08122016	IMPELLER		1				
189	ME08122017	VOLUTE		1				
190	ME08122018	O-RING		1				
191	ME01676320	O-RING		1				
192	ME08122019	PUMP CASING		1				
193	ME08121006	HANDLE		1				
194	ME00200116	HEXAGON BOLT		2				
195	ME08122020	HEXAGON BOLT		2				
196	ME00200117	WAD		4				
197	ME01676323	HEXAGON NUT		4				
198	ME00200091	FLAT GASKET		4				
199	ME08121007	VALVE		1				
200	ME08121008	TUBE JOINT BOLT		1				
201	ME00200011	HEXAGON BOLT		3				
202	ME01676327	TUBE JOINT CORE		2				
203	ME08121009	LOCKNUT		2				
204	ME08121044	SEAL RING		2				
205	ME01689268	STRAINER GROUP		1				
206	ME01676330	HOOP		3				
207	ME01676331	WATER BLOCK		1				
208	ME01676329	O-RING		1				
209	ME08122021	WATER BLOCK		1				
210	ME08122018	O-RING		1				
211	ME08122050	GASKET		99				
212	ME08122051	GASKET		99				

