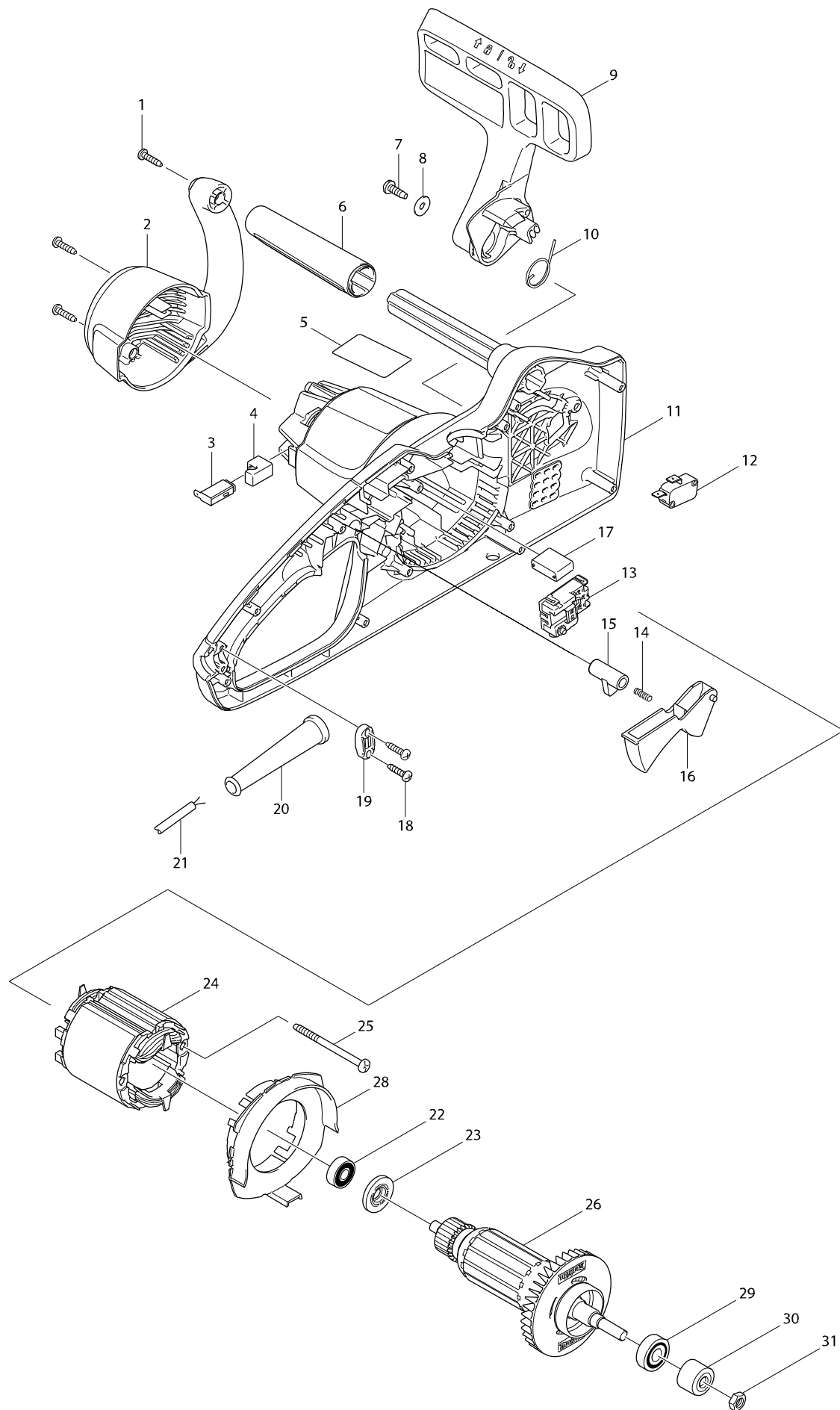
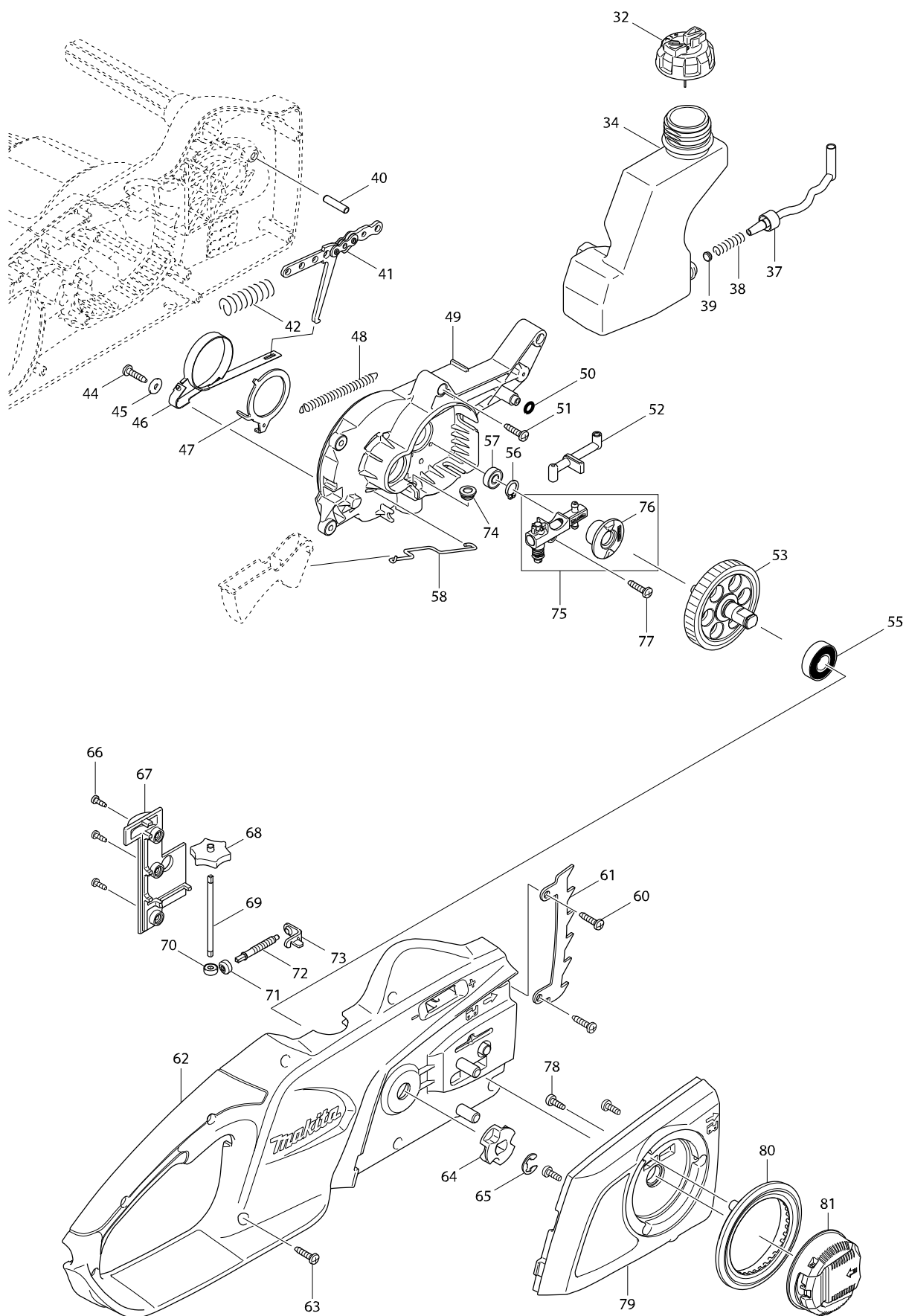


Model ES34TLC 300MM ELECTRIC CHAIN SAW



Model ES34TLC 300MM ELECTRIC CHAIN SAW



| Položka | Objednávacie | Popis | I/C | ks | N/O | Možnosť 1 | Možnosť 2 | Poznámka |
|---------|--------------|------------------------------|-----|----|-----|-----------|-----------|----------|
| 001 | 266326-2 | SKRUTKA SAMOREZNÁ | | 3 | | | | |
| 002 | 454725-2 | REAR COVER | | 1 | | | | |
| 003 | 191972-1 | UHLÍKY CB-132 /ES-33,38,42A/ | | 1 | | | | |
| 004 | 682211-5 | GUM.PUZDRO DRZIACA UHLIKOV | | 2 | | | | |
| 005 | 815A74-2 | ES-34 TLC NAME PLATE | | 1 | | | | |
| 006 | 424600-6 | FRONT GRIP | | 1 | | | | |
| 007 | 266388-0 | SKRUTKA SAMOREZNÁ 5X16 | | 1 | | | | |
| 008 | 253807-5 | PODLOŽKA 5 253807-5 | | 1 | | | | |
| 009 | 142279-8 | FRONT HAND GUARD COMPLETE | | 1 | | | | |
| C10 | 802K54-7 | INDICATION LABEL | | 1 | | | | |
| 010 | 231640-5 | PRUŽINA TORZNÁ 20 UC3020A | | 1 | | | | |
| 011 | 187784-8 | HOUSING SET | | 1 | | | | |
| C10 | 802G51-9 | CAUTION LABEL | | 1 | | | | |
| D10 | | INC. 62 | | | | | | |
| 012 | 650577-1 | SWITCH SD-006-BB2AA-AA | | 1 | | | | |
| 013 | 650716-3 | SWITCH TGC31B | | 1 | | | | |
| 014 | 233173-6 | PRUŽINA PRÍTLAČNÁ UC3020A | | 1 | | | | |
| 015 | 416178-3 | LOCK-OFF BUTTON | | 1 | | | | |
| 016 | 455185-1 | SWITCH LEVER | | 1 | | | | |
| 017 | 645149-5 | NOISE SUPPRESSOR | | 1 | | | | |
| 018 | 266326-2 | SKRUTKA SAMOREZNÁ | | 2 | | | | |
| 019 | 687124-5 | DRŽIAK KÁBLA MT240/953T955 | | 1 | | | | |
| 020 | 682540-6 | CHRANIC SNURY 9,3-90 | | 1 | | | | |
| 021 | 665876-8 | POWER SUPPLY CORD 1.0-2-0.6 | | 1 | | | | |
| 022 | 210029-0 | LOŽISKO GULIČKOVÉ 608ZZ | | 1 | | | | |
| 023 | 681644-1 | IZOLACNA PODLOZKA 681644-1 | | 1 | | | | |
| 024 | 594538-0 | STATOR UC3020A | | 1 | * | | | |
| C10 | 654069-2 | RECEPTACLE | | 2 | * | | | |
| C20 | 654208-4 | RECEPTACLE | | 1 | * | | | |
| 024-1 | 593869-4 | FIELD ASS'Y 220-240V | O | 1 | | | | |
| C10 | 654069-2 | RECEPTACLE | | 2 | | | | |
| C20 | 654208-4 | RECEPTACLE | | 1 | | | | |
| 025 | 266389-8 | TAPPING SCREW 5X70 | | 2 | | | | |
| 026 | 513893-1 | ARMATURE ASS'Y 220-240V | | 1 | | | | |
| D10 | | INC. 22,23,29 | | | | | | |
| 028 | 419238-0 | DOSKA ODKLONU VZDUCHU | | 1 | | | | |
| 029 | 211061-7 | LOŽISKO GULIČKOVÉ 6000LLB | | 1 | | | | |
| 030 | 227153-2 | PASTOROK 12 | | 1 | | | | |
| 031 | 931403-6 | MATICA M8 931403-6 | | 1 | | | | |
| 032 | 142282-9 | TANK CAP COMPLETE | | 1 | | | | |
| 034 | 454729-4 | OIL TANK | | 1 | | | | |
| 037 | 424602-2 | OIL TUBE | | 1 | | | | |
| 038 | 231975-4 | PRUŽINA DCS230T | | 1 | | | | |
| 039 | 416274-7 | ČAP OLEJOVEJ HADIČKY UC3020 | | 1 | | | | |
| 040 | 268238-5 | PIN 5 | | 1 | | | | |
| 041 | 158047-9 | ZÁSEKOVÝ ZUB UC3020 | | 1 | | | | |
| 042 | 233175-2 | PRUŽINA PRÍTLAČNÁ 9 DCS230T | | 1 | | | | |
| 044 | 266326-2 | SKRUTKA SAMOREZNÁ | | 1 | | | | |

| Položka | Objednávacie | Popis | I/C | ks | N/O | Možnosť 1 | Možnosť 2 | Poznámka |
|---------|--------------|--------------------------------|-----|----|-----|-----------|-----------|----------|
| 045 | 267195-4 | PODLOŽKA 4 DCS230T | | 1 | | | | |
| 046 | 168321-7 | BRAKE BAND | | 1 | | | | |
| 047 | 346739-4 | BRAKE RING | | 1 | | | | |
| 048 | 231817-2 | PRUŽINA | | 1 | | | | |
| 049 | 454720-2 | BEARING HOUSING | | 1 | | | | |
| 050 | 213017-6 | O-KRÚŽOK 6 | | 1 | | | | |
| 051 | 266326-2 | SKRUTKA SAMOREZNÁ | | 4 | | | | |
| 052 | 424601-4 | CONNECTOR | | 1 | | | | |
| 053 | 135615-5 | SPUR GEAR 43 ASS'Y | | 1 | | | | |
| 055 | 210106-8 | LOŽISKO GULIČKOVÉ | | 1 | | | | |
| 056 | 961006-2 | POISTNY KRUZOK S-10 | | 1 | | | | |
| 057 | 210033-9 | LOŽISKO GULIČKOVÉ 696ZZ 2107FK | | 1 | | | | |
| 058 | 326359-0 | ROD | | 1 | | | | |
| 060 | 266326-2 | SKRUTKA SAMOREZNÁ | | 2 | | | | |
| 061 | 345651-5 | ZASEKOVY ZUB UC3020A | | 1 | | | | |
| 062 | 187784-8 | HOUSING SET | | 1 | | | | |
| C10 | 802G51-9 | CAUTION LABEL | | 1 | | | | |
| D10 | | INC. 11 | | | | | | |
| 063 | 266326-2 | SKRUTKA SAMOREZNÁ | | 7 | | | | |
| 064 | 221526-1 | KOLESO ZÁBEROVÉ UC3020A | | 1 | | | | |
| 065 | 259036-8 | STOP RING E-8 | | 1 | | | | |
| 066 | 266007-8 | SKRUTKA SAMOREZNÁ PT3X10 9527 | | 3 | | | | |
| 067 | 454727-8 | TENSION COVER | | 1 | | | | |
| 068 | 454726-0 | DIAL 30 | | 1 | | | | |
| 069 | 326360-5 | SHAFT | | 1 | | | | |
| 070 | 227496-2 | PASTOROK 14 UC3020A | | 1 | | | | |
| 071 | 227496-2 | PASTOROK 14 UC3020A | | 1 | | | | |
| 072 | 324620-9 | SKRUTKA ŠPANOVÁKA | | 1 | | | | |
| 073 | 346740-9 | TENSION SLIDE | | 1 | * | | | |
| 073-1 | 346859-4 | TENSION SLIDE | < | 1 | | | | |
| 074 | 424603-0 | GROMMET | | 1 | | | | |
| 075 | 196419-0 | OIL PUMP SET | | 1 | * | | | |
| D10 | | INC. 76 | | | * | | | |
| 075-1 | 142156-4 | OIL PUMP COMPLETE | < | 1 | | | | |
| 076 | 221427-3 | WORM GEAR | | 1 | | | | |
| 077 | 266326-2 | SKRUTKA SAMOREZNÁ | | 1 | | | | |
| 078 | 266427-6 | TAPPING SCREW 4X12 | | 3 | | | | |
| 079 | 142281-1 | SPROCKET COVER COMPLETE | | 1 | | | | |
| C10 | 802E36-3 | INDICATION LABEL | | 1 | | | | |
| 080 | 454728-6 | COVER | | 1 | | | | |
| 081 | 142235-8 | NUT COMPLETE | | 1 | | | | |
| 082 | 804G74-3 | SOUND 104DB LABEL | | 1 | | | | |
| A01 | 158024-1 | HOOK COMPLETE | | 1 | | | | |
| A02 | 165426-4 | GUIDE BAR | | 1 | | | | |
| A03 | 419289-3 | CHAIN COVER | | 1 | | | | |
| A04 | 511291746 | CHAIN BLADE 12 | | 1 | | | | |
| | | | | | | | | |
| | | | | | | | | |