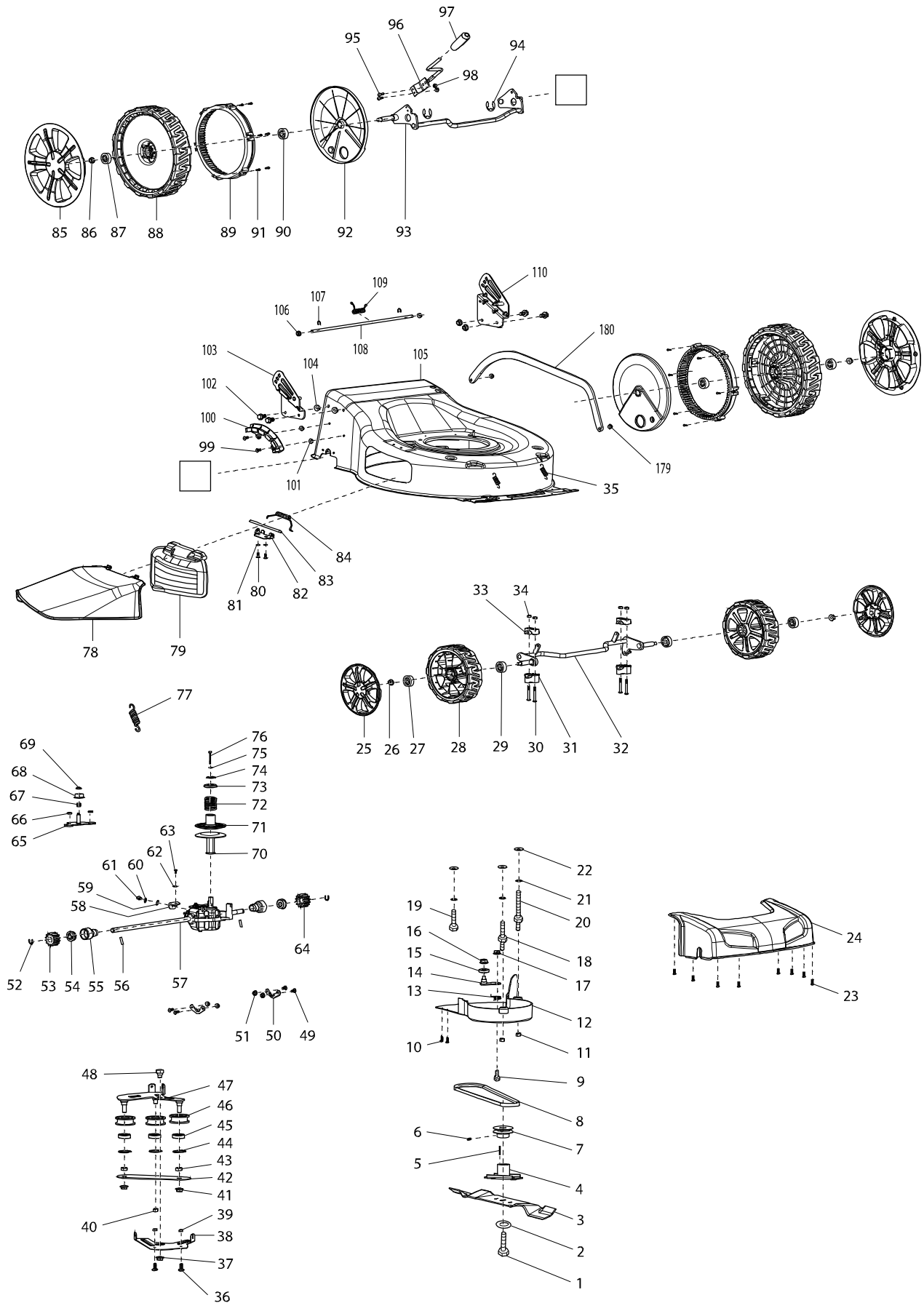
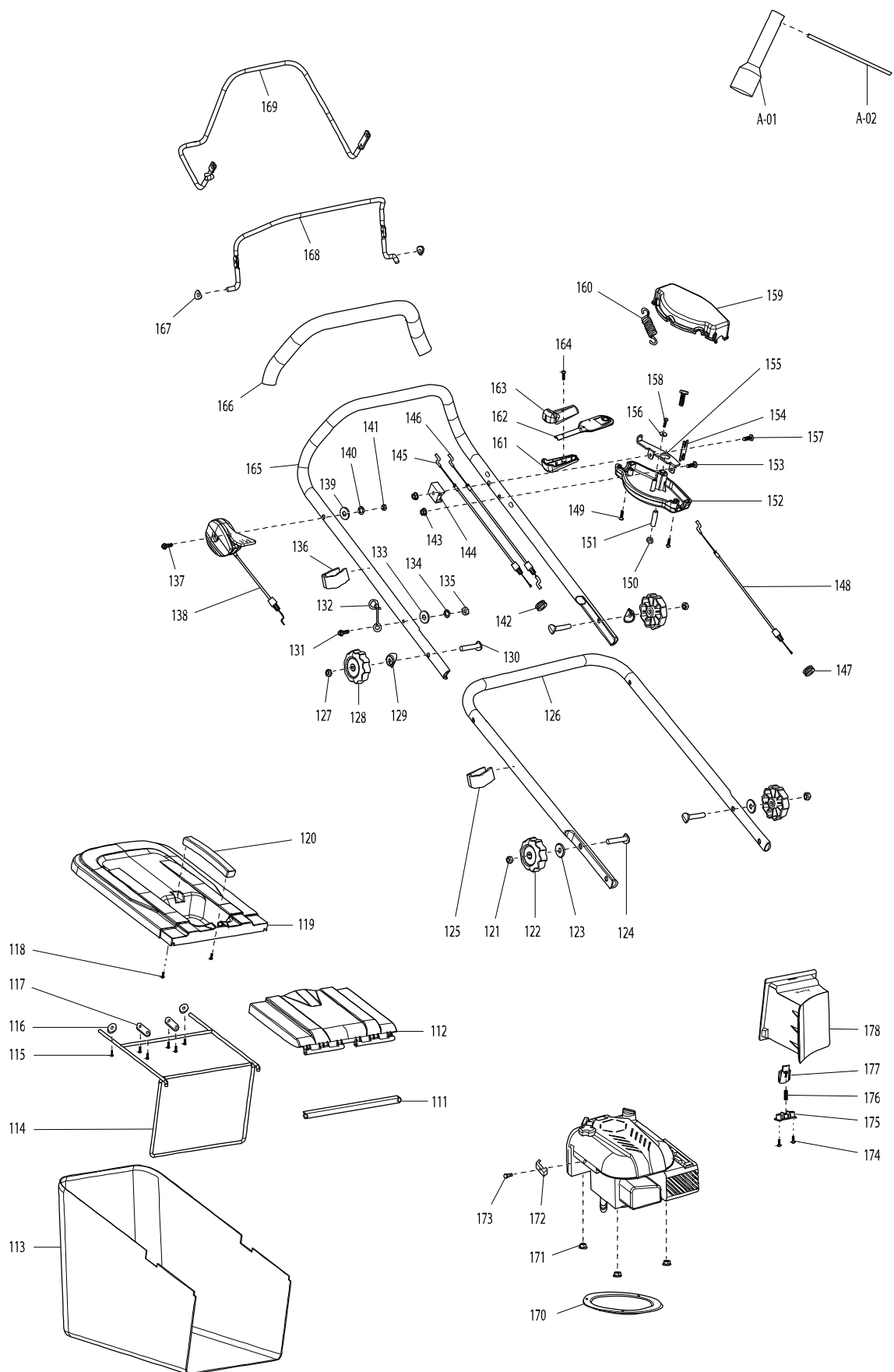


Model PLM5113N PETROL LAWN MOWER



Model PLM5113N PETROL LAWN MOWER



Položka	Objednávacie	Popis	I/C	ks	N/O	Možnosť 1	Možnosť 2	Poznámka
001	671006065	"BLADE TIGHTEN BOLT 3/8""24"		1				
002	671010730	LID SHAPE WASHER		1				
003	DA00000973	BLADE 510MM		1				
004	671015252	BLADE SUPPORT		1				
005	DA00000535	FLAT KEY		1				
006	DA00000598	SCREW		1				
007	671004013	DRIVING WHEEL		1				
008	DA00000968	TRIANGLE BELT		1				
009	671006066	SCREW M6*25		1				
010	DA00000873	TAPPING SCREW ST4.2X15		2				
011	671005008	HEXAGON LOCKING NUT		2				
012	671522001	PROTECTIVE COVER		1				
013	671011136	SPRING		1				
014	DA00000974	FIXED PLATE OF GUIDING WHEEL		1				
015	671004017	BEARING 6001RS		1				
016	DA00000537	HEXAGON FLANGE LOCK NUT		1				
017	DA00000543	ALL METAL HEXAGON FLANGE LOCK		1				
018	DA00000617	SPECIAL BOLT		1				
019	DA00000586	HEXAGON BOLT		1				
020	671003024	BOLT M8X60		1				
021	DA00000832	SPRING WASHER		3				
022	671007007	FLAT WASHER M8		3				
023	DA00000911	SELF-TAPPING SCREW ST4.2*10		8				
024	671513001	FRONT DECORATIVE COVER		1				
025	DA00000536	WHEEL COVER		2				
026	DA00000537	HEXAGON FLANGE LOCK NUT		2				
027	DA00000538	BEARING		2				
028	671020160	"8"" @WHEEL ASS'Y"		2				
029	DA00000538	BEARING		2				
030	671002028	TRIGGER BOLT M6*45		4				
031	671418001	FIXED BRACKET		2				
032	671001573	FRONT WHEEL AXIS ASSY		1				
033	671445001	BRACKET PRESSING BOARD		2				
034	DA00000549	HEXAGON LOCK NUT		4				
035	671011142	EXTENSION SPRING		2				
036	671002019	TRIGGER SCREW		2				
037	DA00000537	HEXAGON FLANGE LOCK NUT		1				
038	DA00000971	FIXING BOARD		1				
039	DA00000549	HEXAGON LOCK NUT		2				
040	671005008	HEXAGON LOCKING NUT		1				
041	DA00000537	HEXAGON FLANGE LOCK NUT		2				
042	671001533	PRESSING PLATE		1				
043	DA00000563	HEXAGON NUT		2				
044	671009021	WIRE BLOCK RING		3				
045	671004017	BEARING 6001RS		3				
046	671001056	SPEED ADJUSTMENT WHEEL		3				
047	671001455	FIXED BOARD		1				
048	671003042	BOLT		1				

Položka	Objednávacie	Popis	I/C	ks	N/O	Možnosť 1	Možnosť 2	Poznámka
049	671002019	TRIGGER SCREW		4				
050	DA00000542	FIXING RING FOR WHEEL AXIS		2				
051	DA00000543	ALL METAL HEXAGON FLANGE LOCK		4				
052	DA00000604	OPEN BLOCK RING		2				
053	DA00000607	RIGHT OUTPUT GEAR ASS'Y		1				
054	671004017	BEARING 6001RS		2				
055	671002024	BEARING SHEATH		2				
056	DA00000597	COLUMN PIN		2				
057	671501031	GEAR BOX		1				
058	DA00000915	FIXED BOARD 2		1				
059	671007007	FLAT WASHER M8		1				
060	DA00000832	SPRING WASHER		1				
061	DA00000562	HEXAGON FLANGE BOLT		1				
062	DA00000864	SPRING WASHER M6		1				
063	671002019	TRIGGER SCREW		1				
064	DA00000605	LEFT OUTPUT GEAR ASS'Y		1				
065	671001717	FIXED PLATE		1				
066	671005011	HEXAGON LOCKING NUT M5		2				
067	671011156	SPRING		1				
068	671002038	SHAFT SHEATH		1				
069	DA00000543	ALL METAL HEXAGON FLANGE LOCK		1				
070	671001082	DRIVEN AXIS WITH LOWER DRIVEN		1				
071	671010540	UPPER DRIVEN WHEEL		1				
072	671011122	SPRING		1				
073	671001457	PRESSING PLATE		1				
074	671009020	WIRE BLOCK RING		1				
075	671080040	SPRING WASHER M5		1				
076	671006123	BOLT M5*55		1				
077	671011021	SPRING		1				
078	DA00000969	SIDE DISCHARGE COVER		1				
079	671514001	SIDE DISCHARGE COVER		1				
080	671201501	TRIGGER BOLT M5X10		2				
081	671080040	SPRING WASHER M5		2				
082	671001571	FIXING BOARD		1				
083	671001019	POSITION FIXING AXLE OF SIDE		1				
084	671111300	SPRING OF SIDE DISCHARGE COVER		1				
085	671001322	11 WHEEL COVER		2				
086	DA00000537	HEXAGON FLANGE LOCK NUT		2				
087	DA00000538	BEARING		2				
088	671002021	11 WHEEL ASS'Y		2				
089	671200010	WHEEL GEAR RING		2				
090	DA00000538	BEARING		2				
091	DA00000603	SELF-TAPPING SCREW		12				
092	671251800	DUST-PROOF WHEEL COVER		2				
093	671001574	REAR WHEEL AXIS ASSY		1				
094	DA00000612	OPEN BLOCK RING		2				
095	671002030	CROSS HEAD SCREW M6X14		2				
096	671001570	LEVER HEIGHT ADJUSTMENT		1				

Položka	Objednávacie	Popis	I/C	ks	N/O	Možnosť 1	Možnosť 2	Poznámka
097	671001031	HANDLE SHEATH		1				
098	DA00000549	HEXAGON LOCK NUT		2				
099	671002019	TRIGGER SCREW		2				
100	DA00000788	HEIGHT ADJUSTMENT PLATE		1				
101	DA00000543	ALL METAL HEXAGON FLANGE LOCK		2				
102	DA00000562	HEXAGON FLANGE BOLT		4				
103	671001325	RIGHT HANDLE BRACKET		1				
104	DA00000537	HEXAGON FLANGE LOCK NUT		4				
105	671132602	DECK(MAKITA BLUE)		1				
106	DA00000543	ALL METAL HEXAGON FLANGE LOCK		2				
107	671009017	OPEN BLOCK RING		2				
108	671001518	LONG POLE		1				
109	671011101	SPRING		1				
110	671001324	LEFT HANDLE BRACKET		1				
111	671001353	PRESSING BAR		1				
112	671468001	REAR COVER BOARD		1				
113	671144401	GRASS CATCHER(MAKITA LOGO)		1				
114	671001443	GRASS CATCHER BRACKET		1				
115	DA00000888	SELF-TAPPING SCREW ST5*12		6				
116	671001436	PRESSING PLATE		2				
117	671001203	PRESSING PLATE		2				
118	671105502	SELF-TAPPING SCREW ST5*16		2				
119	671521001	GRASS CATCHER COVER		1				
120	671454001	GRASS CATCHER HANDLE		1				
121	DA00000563	HEXAGON NUT		2				
122	DA00000564	KNOB		2				
123	671007007	FLAT WASHER M8		2				
124	DA00000880	FLAT HEAD BOLT M8*35		2				
125	671611001	CABLE CLAMP		1				
126	671001606	LOWER HANDLE POLE		1				
127	DA00000563	HEXAGON NUT		2				
128	DA00000564	KNOB		2				
129	DA00000565	CURVED WASHER		2				
130	DA00000569	FLAT HEAD BOLT		2				
131	DA00000577	HEXAGON FLANGE BOLT		1				
132	DA00000579	CABLE HOOK		1				
133	DA00000574	FLAT WASHER		1				
134	DA00000864	SPRING WASHER M6		1				
135	DA00000575	LID SHAPE NUT M6		1				
136	671611001	CABLE CLAMP		1				
137	671006082	HEXAGON FLANGE BOLT M6X50		1				
138	671001150	THROTTLE HANDLE ASSY		1				
139	DA00000574	FLAT WASHER		1				
140	DA00000864	SPRING WASHER M6		1				
141	DA00000575	LID SHAPE NUT M6		1				
142	671800104	CABLE PROTECTING SHEATH		1				
143	DA00000543	ALL METAL HEXAGON FLANGE LOCK		2				
144	DA00000573	CABLE FIXING PLATE		1				

