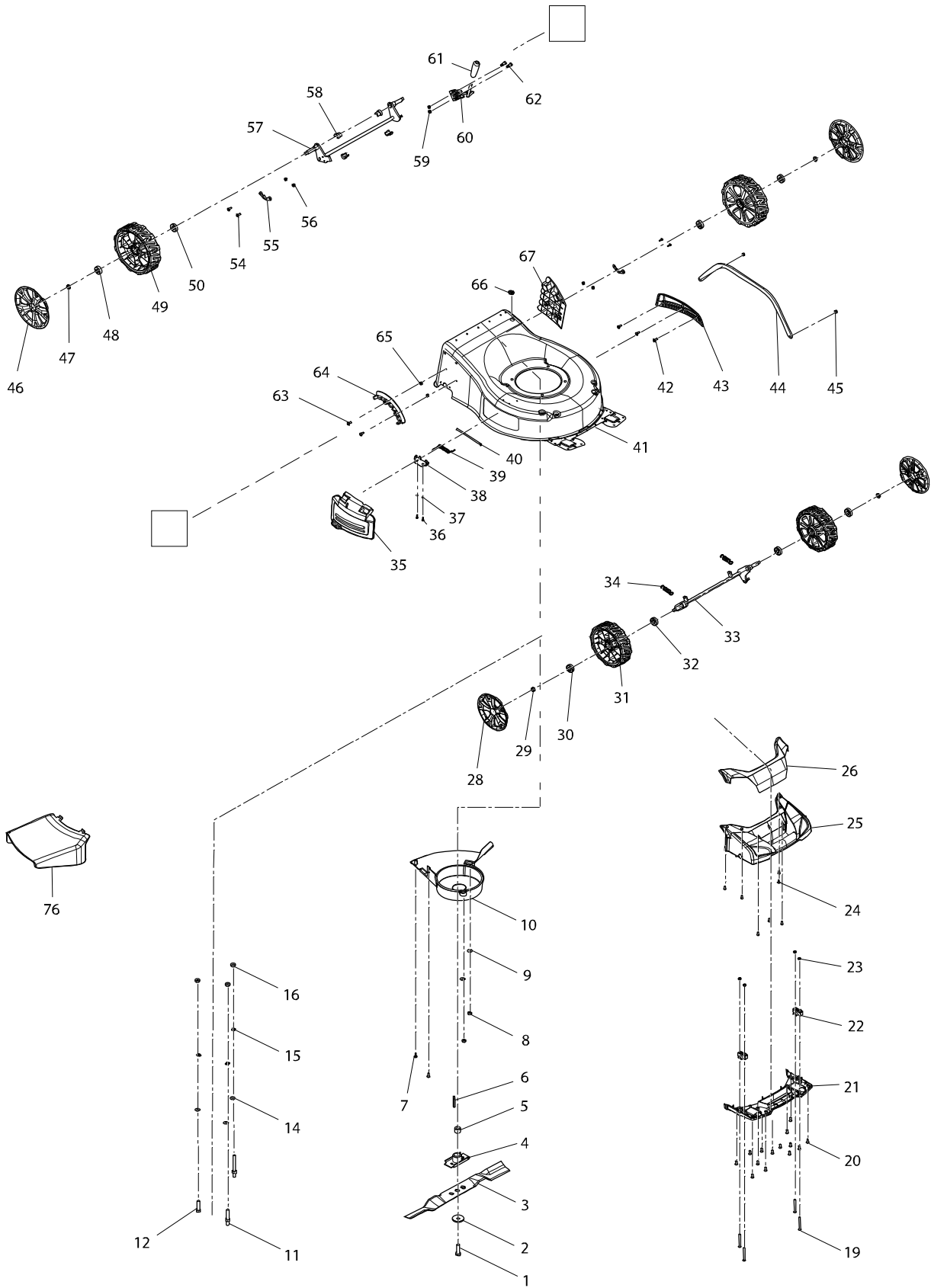
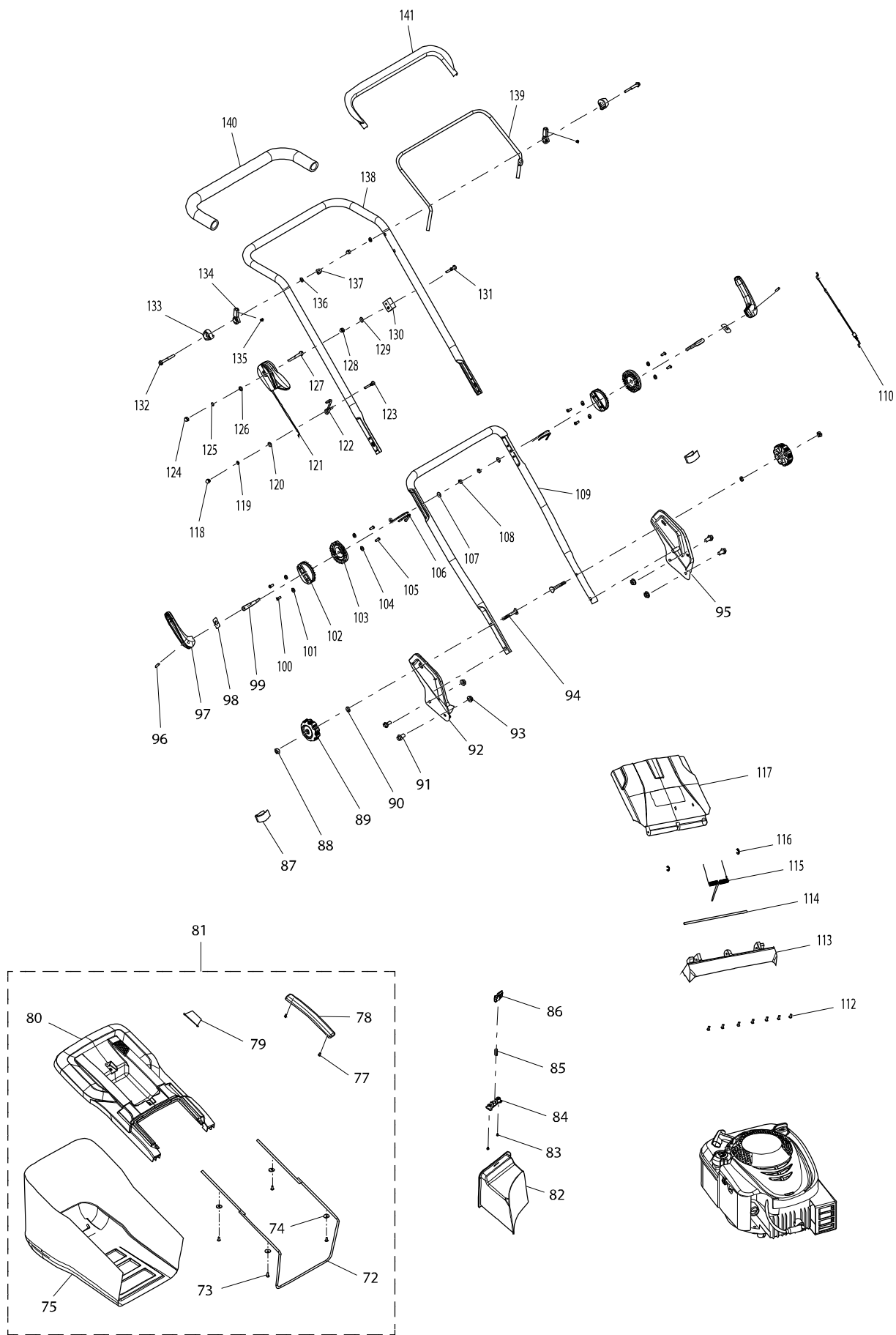


Model PLM4630N PETROL LAWN MOWER



Model PLM4630N PETROL LAWN MOWER



Položka	Objednávacie	Popis	I/C	ks	N/O	Možnosť 1	Možnosť 2	Poznámka
001	DA00000528	BLADE TIGHTEN BOLT		1				
002	671010730	LID SHAPE WASHER		1				
003	671014610	BLADE 460MM		1				
004	DA00000857	BLADE SUPPORT		1				
005	671002093	BLADE SLEEVE		1				
006	DA00000535	FLAT KEY		1				
007	671001037	SELF-TAPPING SCREW ST5X16		2				
008	671005008	HEXAGON LOCKING NUT		2				
009	671007007	FLAT WASHER M8		2				
010	671996001	BELT PROTECTING COVER		1				
011	DA00000617	SPECIAL BOLT		1				
012	DA00000586	HEXAGON BOLT		1				
013	671003024	BOLT M8X60		1				
014	671007007	FLAT WASHER M8		3				
015	DA00000832	SPRING WASHER		3				
016	DA00000537	HEXAGON FLANGE LOCK NUT		3				
019	671006119	HEXAGON FLANGE LOCKING BOLT		4				
020	DA00000826	SELF-DRIVING SCREW ST4*12		14				
021	671927001	FRONT COVER SUPPORT		1				
022	671445001	BRACKET PRESSING BOARD		2				
023	DA00000549	HEXAGON LOCK NUT		4				
024	DA00000826	SELF-DRIVING SCREW ST4*12		7				
025	671003041	FRONT COVER		1				
026	671925001	FRONT COVER BOARD		1				
028	671003014	WHEEL COVER		2				
029	DA00000537	HEXAGON FLANGE LOCK NUT		2				
030	DA00000538	BEARING		2				
031	671020150	WHEEL ASSY		2				
032	DA00000538	BEARING		2				
033	671002362	FRONT WHEEL AXLE ASS'Y		1				
034	671011230	SPRING		2				
035	671929001	SIDE DISCHARGE COVER BOARD		1				
036	671002010	SCREW M5X12		2				
037	671080040	SPRING WASHER M5		2				
038	671001571	FIXING BOARD		1				
039	671011205	SPRING		1				
040	671001019	POSITION FIXING AXLE OF SIDE		1				
041	671001820	DECK(MAKITA BLUE)		1				
042	671010310	TAPPING SCREW ST4.2X8		3				
043	671928001	PROTECTING BOARD		1				
044	671002364	LINK ROD		1				
045	DA00000549	HEXAGON LOCK NUT		2				
046	671030150	WHEEL COVER		2				
047	DA00000537	HEXAGON FLANGE LOCK NUT		2				
048	DA00000538	BEARING		2				
049	671020160	"8"" WHEEL ASS'Y"		2				
050	DA00000538	BEARING		2				
054	671002019	TRIGGER SCREW		4				

Položka	Objednávacie	Popis	I/C	ks	N/O	Možnosť 1	Možnosť 2	Poznámka
055	DA00000542	FIXING RING FOR WHEEL AXIS		2				
056	DA00000549	HEXAGON LOCK NUT		2				
057	671002363	REAR WHEEL AXLE ASS'Y		1				
058	671340002	BEARING SHEATH		4				
059	DA00000543	ALL METAL HEXAGON FLANGE LOCK		4				
060	DA00000834	HANDLE ASS'Y		1				
061	671500201	HANDLE SHEATH		1				
062	671002041	SCREW M6X17		2				
063	DA00000552	TRIGGER SCREW		2				
064	DA00000789	HEIGHT ADJUSTMENT BOARD		1				
065	DA00000549	HEXAGON LOCK NUT		2				
066	671800104	CABLE PROTECTING SHEATH		1				
067	671085001	GRASS DISCHARGE BOARD		1				
072	DA00000843	GRASS CATCHER BRACKET		1				
073	DA00000603	SELF-TAPPING SCREW		4				
074	671001436	PRESSING PLATE		4				
075	671153401	GRASS CATCHER(MAKITA LOGO)		1				
076	671930001	SIDE DISCHARGE PROTECTING COVER		1				
077	DA00000603	SELF-TAPPING SCREW		2				
078	671937001	GRASS BOX HANDLE		1				
079	671001075	LEVEL INDICATOR(MAKITA BLUE)		1				
080	671992001	GRASS BOX COVER BOARD		1				
081	DA00000847	GRASS CATCHER ASSEMBLY(MAKITA)		1				
082	DA00000844	MULCHING KIT		1				
083	DA00000603	SELF-TAPPING SCREW		2				
084	671317001	PRESSING BOARD OF LOCKING		1				
085	671011005	SPRING		1				
086	671316004	LOCKING BUTTON OF MULCHING KIT		1				
087	671611001	CABLE CLAMP		2				
088	DA00000563	HEXAGON NUT		2				
089	DA00000564	KNOB		2				
090	671002361	CABLE FIXING RING		2				
091	DA00000562	HEXAGON FLANGE BOLT		4				
092	DA00000858	RIGHT HANDLE BRACKET(MAKITA BL)		1				
093	DA00000537	HEXAGON FLANGE LOCK NUT		4				
094	DA00000839	FLAT HEAD BOLT M8X35		2				
095	DA00000859	LEFT HANDLE BRACKET(MAKITA BLU)		1				
096	671090040	COLUMN PIN		2				
097	671431001	ADJUSTMENT SELF-LOCKING HANDL		2				
098	671001119	PRESSING PLATE		2				
099	671006167	HANDLE LOCKING BOLT M8X75		2				
100	671002010	SCREW M5X12		4	*			
100-1	DA00000840	TAPPING SCREW	<	4				
101	671080040	SPRING WASHER M5		4				
102	DA00000861	UPPER ADJUSTMENT GEAR		2				
103	DA00000862	LOWER ADJUSTMENT GEAR		2				
104	671080040	SPRING WASHER M5		4				
105	671002010	SCREW M5X12		4	*			

Položka	Objednávacie	Popis	I/C	ks	N/O	Možnosť 1	Možnosť 2	Poznámka
105-1	DA00000840	TAPPING SCREW	<	4				
106	671002361	CABLE FIXING RING		2				
107	671007007	FLAT WASHER M8		2				
108	671005008	HEXAGON LOCKING NUT		2				
109	671017070	LOWER HANDLE POLE		1				
110	671001292	FRAMEOUT CORD ASS'Y		1				
112	DA00000826	SELF-DRIVING SCREW ST4*12		7				
113	671932001	SEALING STRIP		1				
114	671002365	LONG POLE		1				
115	671011203	SPRING		1				
116	671009017	OPEN BLOCK RING		2				
117	671933001	REAR COVER(MAKITA BLUE)		1				
118	DA00000575	LID SHAPE NUT M6		1				
119	DA00000864	SPRING WASHER M6		1				
120	DA00000574	FLAT WASHER		1				
121	671106202	THROTTLE HANDLE ASS'Y		1				
122	DA00000579	CABLE HOOK		1				
123	DA00000577	HEXAGON FLANGE BOLT		1				
124	DA00000575	LID SHAPE NUT M6		1				
125	DA00000864	SPRING WASHER M6		1				
126	DA00000574	FLAT WASHER		1				
127	671006082	HEXAGON FLANGE BOLT M6X50		1				
128	DA00000575	LID SHAPE NUT M6		1				
129	DA00000574	FLAT WASHER		1				
130	DA00000573	CABLE FIXING PLATE		1				
131	DA00000577	HEXAGON FLANGE BOLT		1				
132	671006029	HEXAGON FLANGE BOLT M6X45		2				
133	671990001	POSITION FIXING SUPPORT		2				
134	671989001	PULLING POLE HANGING BOARD		2				
135	671002025	SCREW M4X8		2				
136	671007070	FLAT WASHER M6		2				
137	DA00000575	LID SHAPE NUT M6		2				
138	671018730	FRAMEOUT PULLING POLE		1				
139	671001778	UPPER HANDLE POLE		1				
140	671103001	HANDLE SHEATH		1				
141	671020130	PULLING POLE BUCKLE		1				
A01	671001078	SPANNER 21		1				
A02	DA00000584	WRENCH POLE		1				